



**AD-330 / AD-320**  
**Parts Manual**  
**Phase 7 Coin**  
**with S.A.F.E. System Option**

---

**American Dryer Corporation**  
88 Currant Road  
Fall River MA 02720-4781 USA  
Telephone: +1 (508) 678-9000 / Fax: +1 (508) 678-9447  
e-mail: techsupport@amdry.com

[www.adclaundry.com](http://www.adclaundry.com)

# Retain This Manual In A Safe Place For Future Reference

American Dryer Corporation products embody advanced concepts in engineering, design, and safety. If this product is properly maintained, it will provide many years of safe, efficient, and trouble free operation.

***ONLY qualified technicians should service this equipment.***

**OBSERVE ALL SAFETY PRECAUTIONS** displayed on the equipment or specified in the installation manual included with the dryer.

The following “**FOR YOUR SAFETY**” caution must be posted near the dryer in a prominent location.

## FOR YOUR SAFETY

Do not store or use gasoline or other flammable vapors and liquids in the vicinity of this or any other appliance.

## POUR VOTRE SÉCURITÉ

Ne pas entreposer ni utiliser d'essence ni d'autres vapeurs ou liquides inflammables à proximité de cet appareil ou de tout autre appareil.

We have tried to make this manual as complete as possible and hope you will find it useful. ADC reserves the right to make changes from time to time, without notice or obligation, in prices, specifications, colors, and material, and to change or discontinue models.

## Important

For your convenience, log the following information:

DATE OF PURCHASE \_\_\_\_\_ MODEL NO. \_\_\_\_\_

RESELLER'S NAME \_\_\_\_\_

Serial Number(s) \_\_\_\_\_

\_\_\_\_\_

\_\_\_\_\_

Replacement parts can be obtained from your reseller or the ADC factory. When ordering replacement parts from the factory, you can FAX your order to ADC at (508) 678-9447 or telephone your order directly to the ADC Parts Department at (508) 678-9000. Please specify the dryer model number and serial number in addition to the description and part number, so that your order is processed accurately and promptly.

The illustrations on the following pages may not depict your particular dryer exactly. The illustrations are a composite of the various dryer models. Be sure to check the descriptions of the parts thoroughly before ordering.

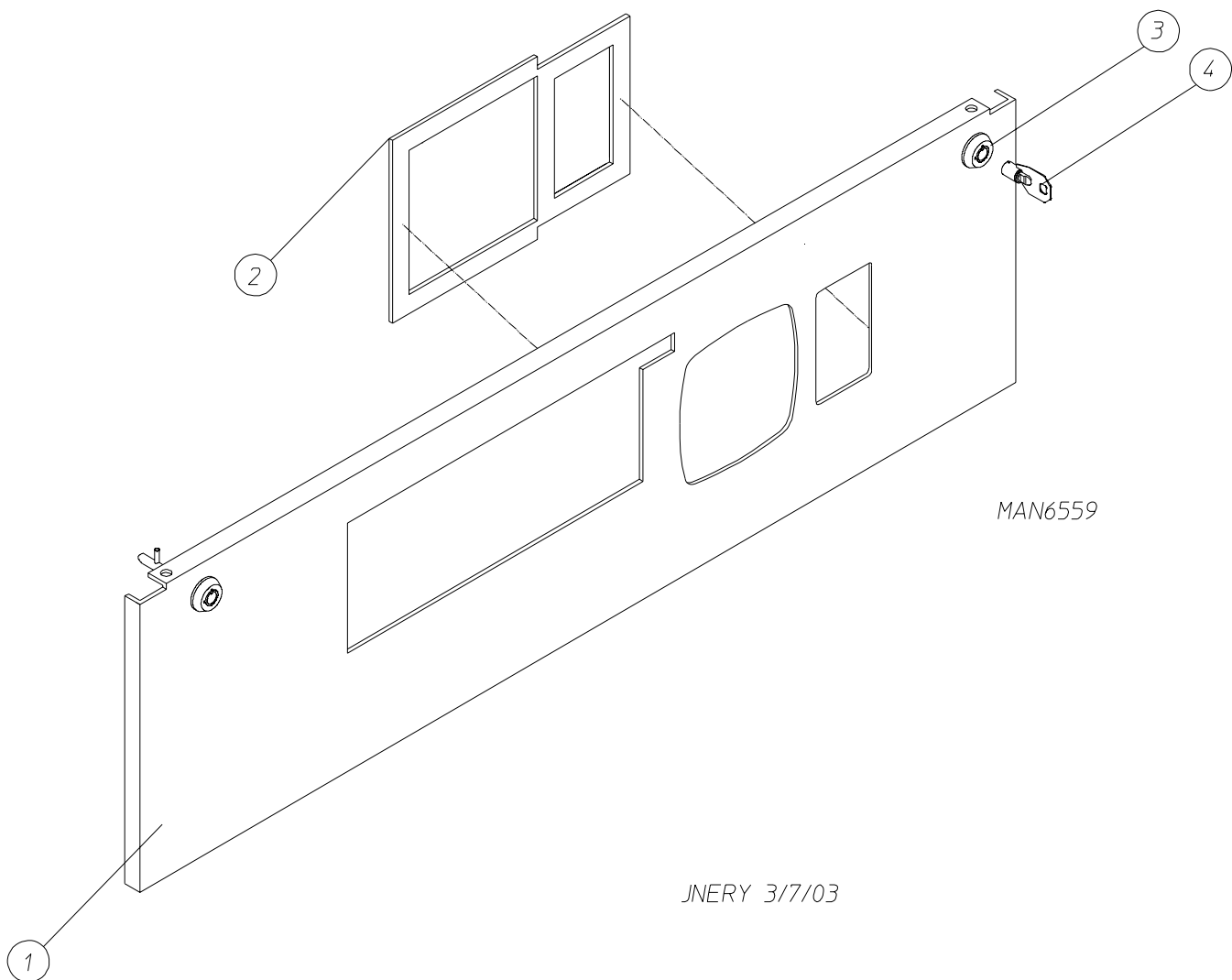
### **“IMPORTANT NOTE TO PURCHASER”**

Information must be obtained from your local gas supplier on the instructions to be followed if the user smells gas. These instructions must be posted in a prominent location near the dryer.

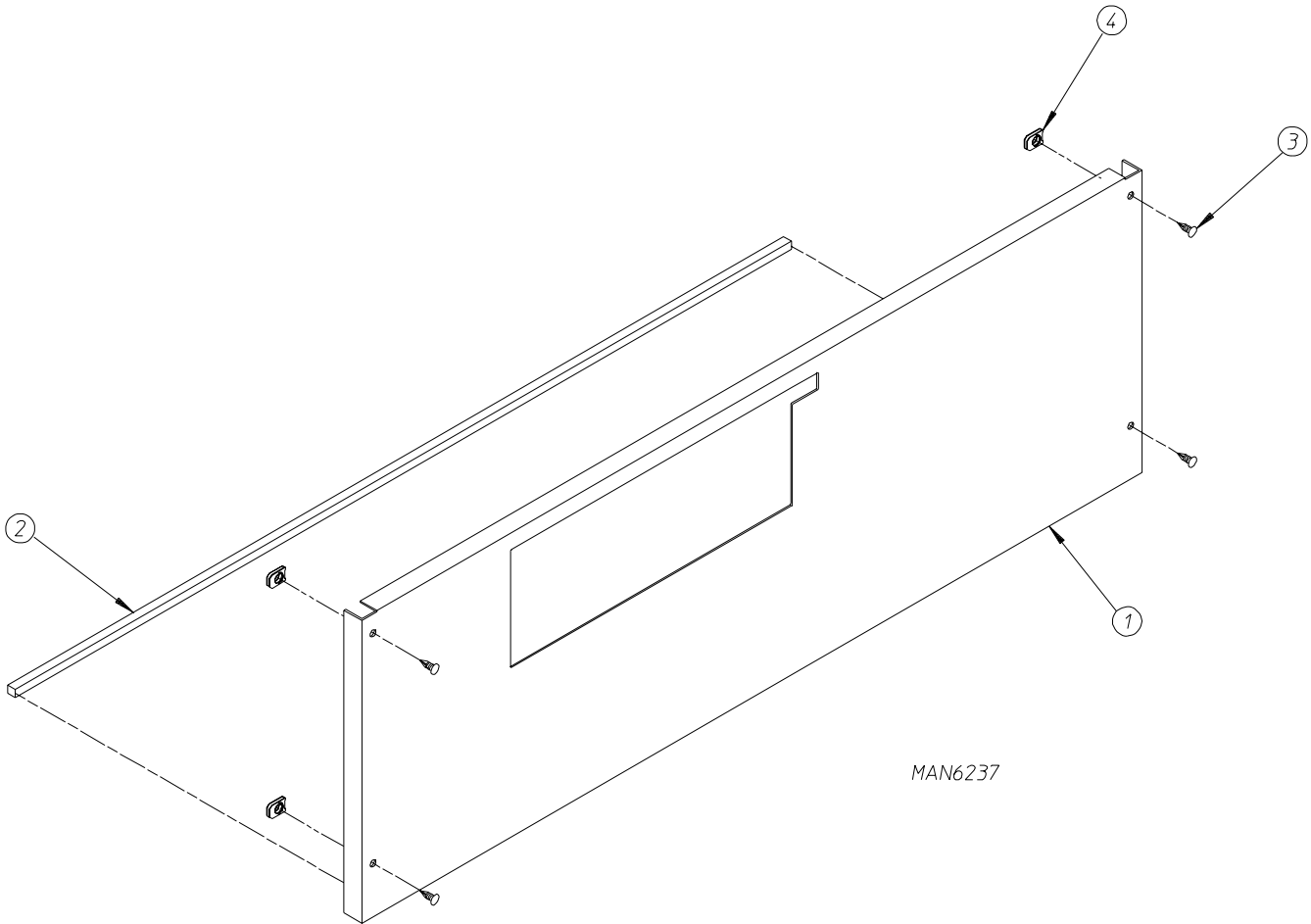
# Table of Contents

AD-330 / AD-320 Coin Control Door Assembly .....	4
AD-330 / AD-320 Lint Door Assembly .....	5
AD-320 Lint Drawer (Basket) Assembly .....	6
AD-330 Locking Lint Drawer (Basket) Assembly .....	7
AD-320 Locking Lint Drawer (Basket) Assembly .....	8
Single Hanke Coin, DMC Control Panel Assembly for Domestic Single Coin (25¢) Models .....	9
Hanke Microprocessor Coin Acceptor Listing .....	10
Coin Vault Assembly .....	11
DMC Control Box Assembly .....	12
AD-330 / AD-320 Cold Rolled Steel Door Top Front Panel .....	14
AD-330 / AD-320 Cold Rolled Steel Door Bottom Front Panel .....	15
Main Door "Steel" Assembly .....	16
Main Door Switch Assembly for Cold Rolled Steel Type Door .....	17
AD-330 Tumbler / Support Assemblies .....	18
AD-320 Tumbler / Support Assemblies .....	19
Tumbler Brush Assembly .....	20
Temperature Sensor Probe Assembly .....	21
Tumbler Bearing Assembly .....	22
AD-330 / AD-320 Lint Drawer (Basket) Switch Assembly .....	23
Totally Enclosed, Non-Vent Motor / Idler Assemblies .....	24
AD-330 / AD-320 Gas Train Assembly .....	26
Burner Box / Piping Assemblies .....	28
15 kW Electric Oven Assembly .....	29
ADS-330 / ADS-320 Steam Damper Assembly .....	30
Sail Switch Assembly .....	31
Back Guard Assemblies .....	32
Optional Gas Piping and Exhaust Ducting Kits .....	33
12-Rib 95" (J) Poly Belt Arrangement .....	34
Bottom Exhaust Duct Assembly and Cabinet Hi-Limit Temperature Probe .....	35
S.A.F.E. Temperature Probe Assembly .....	36
S.A.F.E. Solenoid Assembly .....	37
15 kW Electric Oven Component Chart .....	38
Additional Parts Available .....	39

# AD-330 / AD-320 Coin Control Door Assembly



Illus. No.	Part No.	Qty.	Description
1	883768	1	White Coin Control Door Assembly Less Locks (includes illus. nos. 1 and 2)
	883769	1	Ivory Coin Control Door Assembly Less Locks (includes illus. nos. 1 and 2)
	883770	1	Coral Blue Coin Control Door Assembly Less Locks (includes illus. nos. 1 and 2)
	883771	1	Stainless Steel Coin Control Door Assembly Less Locks (includes illus. nos. 1 and 2)
2	117603	2	Neoprene Gasket Tape (sold by the foot)
3	160040	2	ACE® Lock Assembly (no key)
4	160140	-	Key ONLY (key number XX4451)



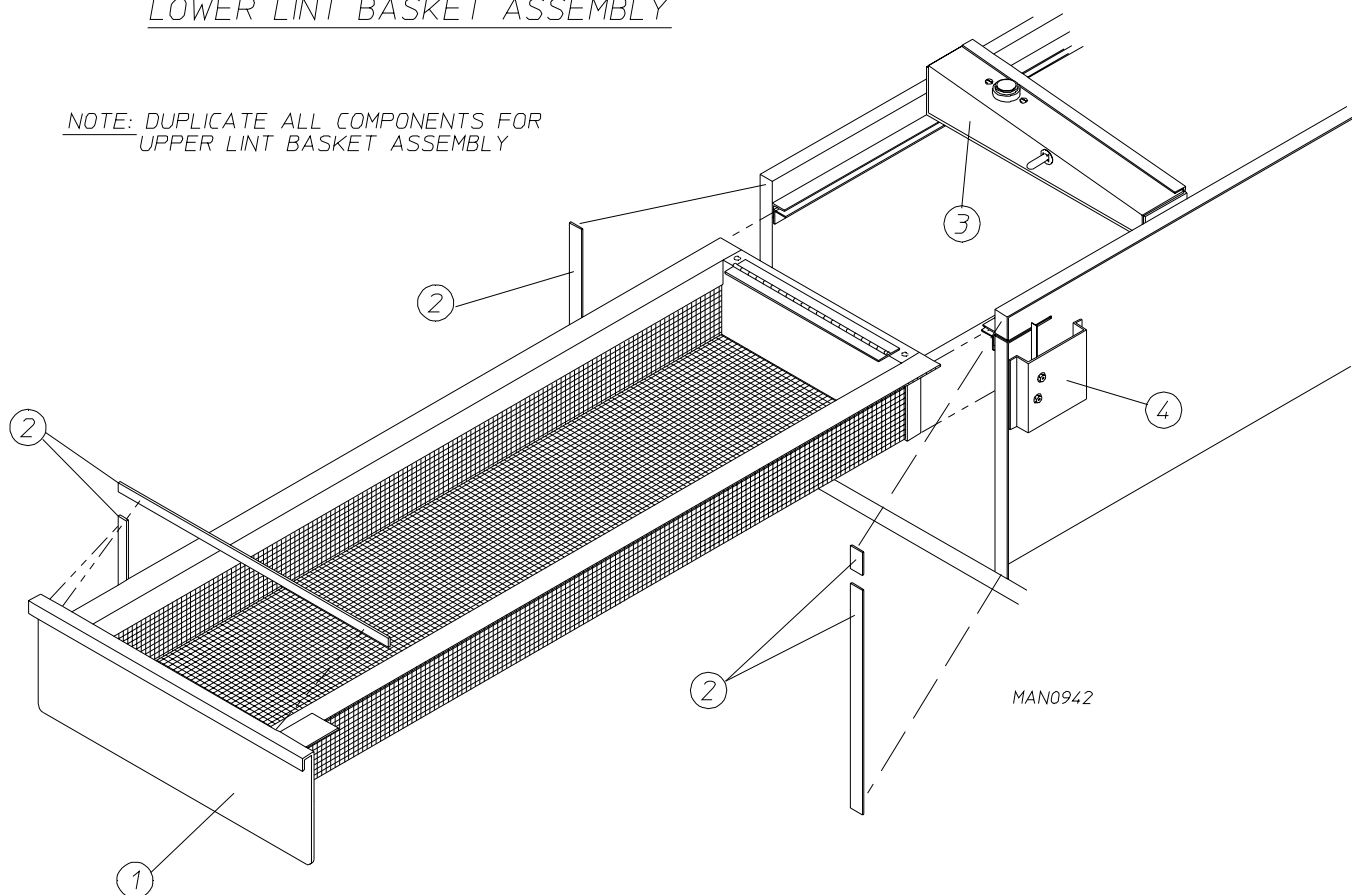
WM 8/7/02

Illus. No.	Part No.	Qty.	Description
1	883463	1	White Lint Door Assembly (includes illus. nos. 1 and 2)
	883464	1	Ivory Lint Door Assembly (includes illus. nos. 1 and 2)
	883465	1	Coral Blue Lint Door Assembly (includes illus. nos. 1 and 2)
	824326	1	Stainless Steel Lint Door Assembly (includes illus. nos. 1 and 2)
2	117604	3	Neoprene Gasket Tape (sold by the foot)
3	150314	4	#10-32 x 1/2" TORX PLUS® BTN Head Machine Screw
4	154011	4	#10-32 Multi-Thread U-Nut

# AD-320 Lint Drawer (Basket) Assembly

## LOWER LINT BASKET ASSEMBLY

NOTE: DUPLICATE ALL COMPONENTS FOR UPPER LINT BASKET ASSEMBLY



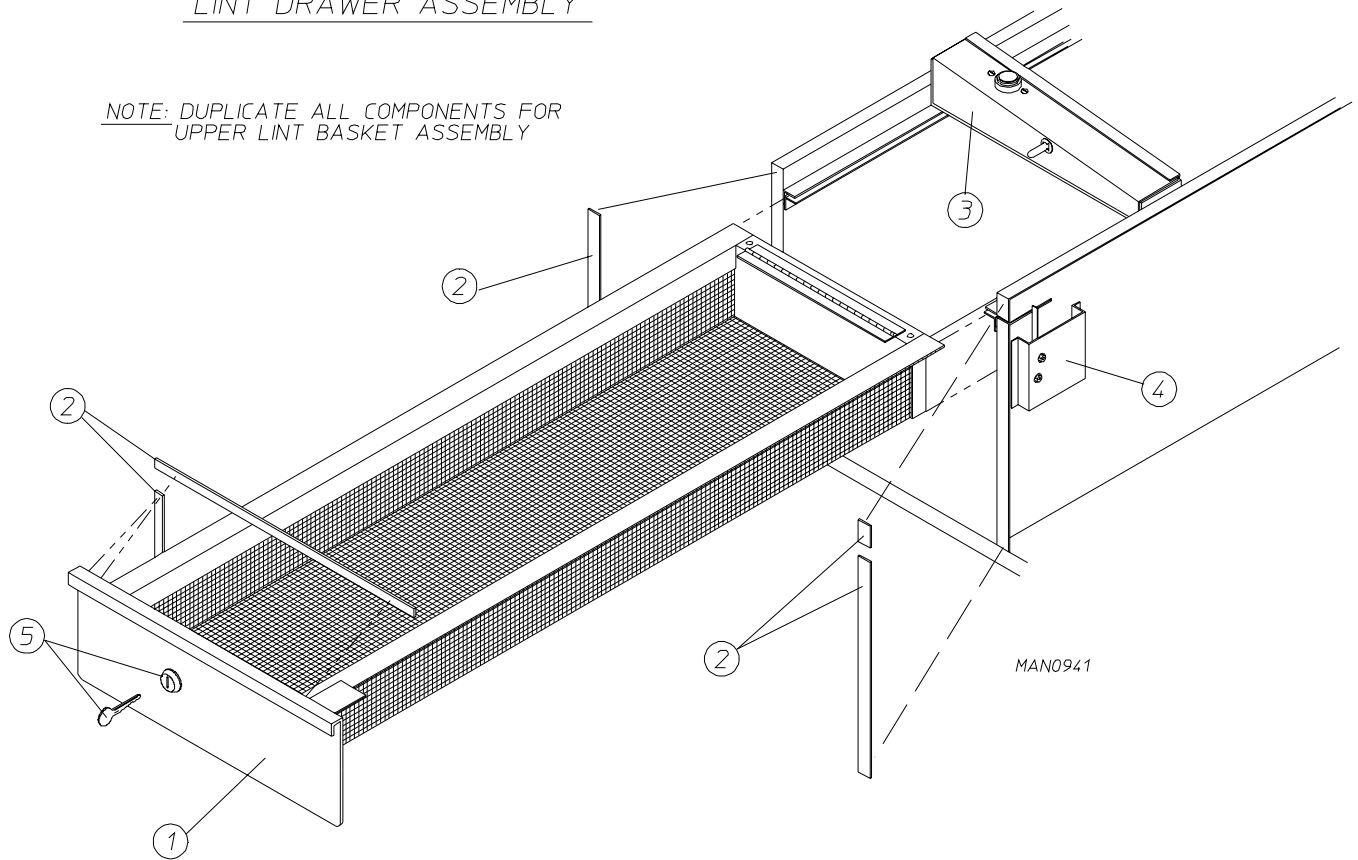
<u>Illus. No.</u>	<u>Part No.</u>	<u>Qty.</u>	<u>Description</u>
1	883455	1	AD-320 White Lint Drawer (basket) Assembly Complete (includes illus. nos. 1 and 2)
	883457	1	AD-320 Ivory Lint Drawer (basket) Assembly Complete (includes illus. nos. 1 and 2)
	883456	1	AD-320 Coral Blue Lint Drawer (basket) Assembly Complete (includes illus. nos. 1 and 2)
	883458	1	AD-320 Black Lint Drawer (basket) Assembly Complete For Stainless Steel Models ONLY
2	117604	1	Neoprene Sponge Tape (sold by the foot)
3	————	1	Temperature Sensor Bracket <b>(refer to Temperature Sensor Probe Assembly on page 21)</b>
4	————	1	Lint Drawer (basket) Switch <b>(refer to AD-330 / AD-320 Lint Drawer [Basket] Switch Assembly on page 23)</b>

**IMPORTANT:** For models with optional lock refer to **AD-320 Locking Lint Drawer (Basket) Assembly on page 8.**

# AD-330 Locking Lint Drawer (Basket) Assembly

## LINT DRAWER ASSEMBLY

NOTE: DUPLICATE ALL COMPONENTS FOR UPPER LINT BASKET ASSEMBLY

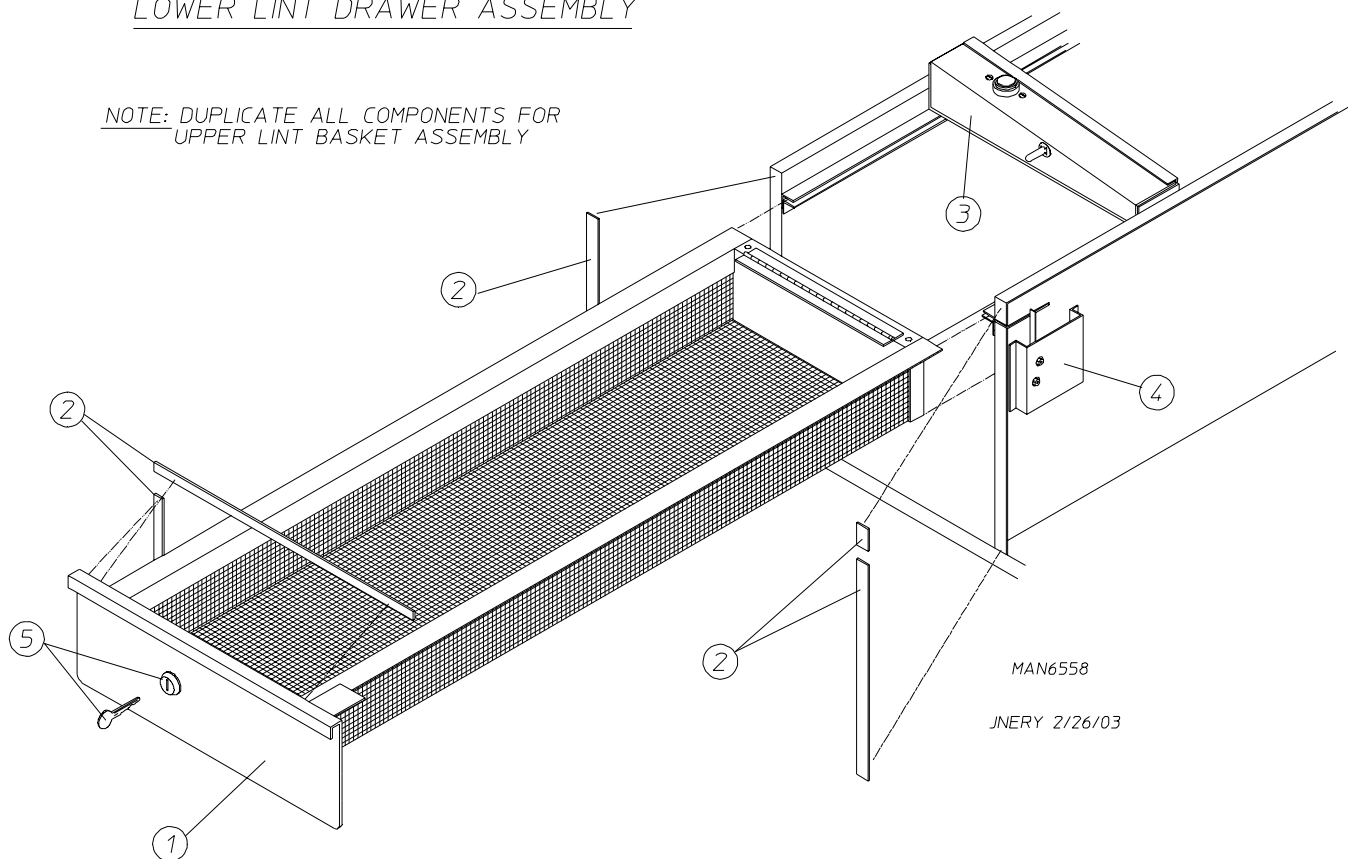


Illus. No.	Part No.	Qty.	Description
1	883778	1	AD-330 White Locking Lint Drawer (basket) Assembly Less Lock and Key (includes illus. nos. 1 and 2)
	883779	1	AD-330 Ivory Locking Lint Drawer (basket) Assembly Less Lock and Key (includes illus. nos. 1 and 2)
	883780	1	AD-330 Coral Blue Locking Lint Drawer (basket) Assembly Less Lock and Key (includes illus. nos. 1 and 2)
	883781	1	AD-330 Black Locking Lint Drawer (basket) Assembly Less Lock and Key for Stainless Steel Models ONLY (includes illus. nos. 1 and 2)
2	117604	3	Neoprene Sponge Tape (sold by the foot)
3	————	1	Temperature Sensor Bracket <b>(refer to Temperature Sensor Probe Assembly on page 21)</b>
4	————	1	Lint Drawer (basket) Switch <b>(refer to AD-330 / AD-320 Lint Drawer [Basket] Switch Assembly on page 23)</b>
5	160015	1	Lint Drawer Lock Assembly (keyed to number XX4451)
	160140	1	Key ONLY (key number XX4451)
	160031	1	Cam ONLY

# AD-320 Locking Lint Drawer (Basket) Assembly

## LOWER LINT DRAWER ASSEMBLY

NOTE: DUPLICATE ALL COMPONENTS FOR  
UPPER LINT BASKET ASSEMBLY

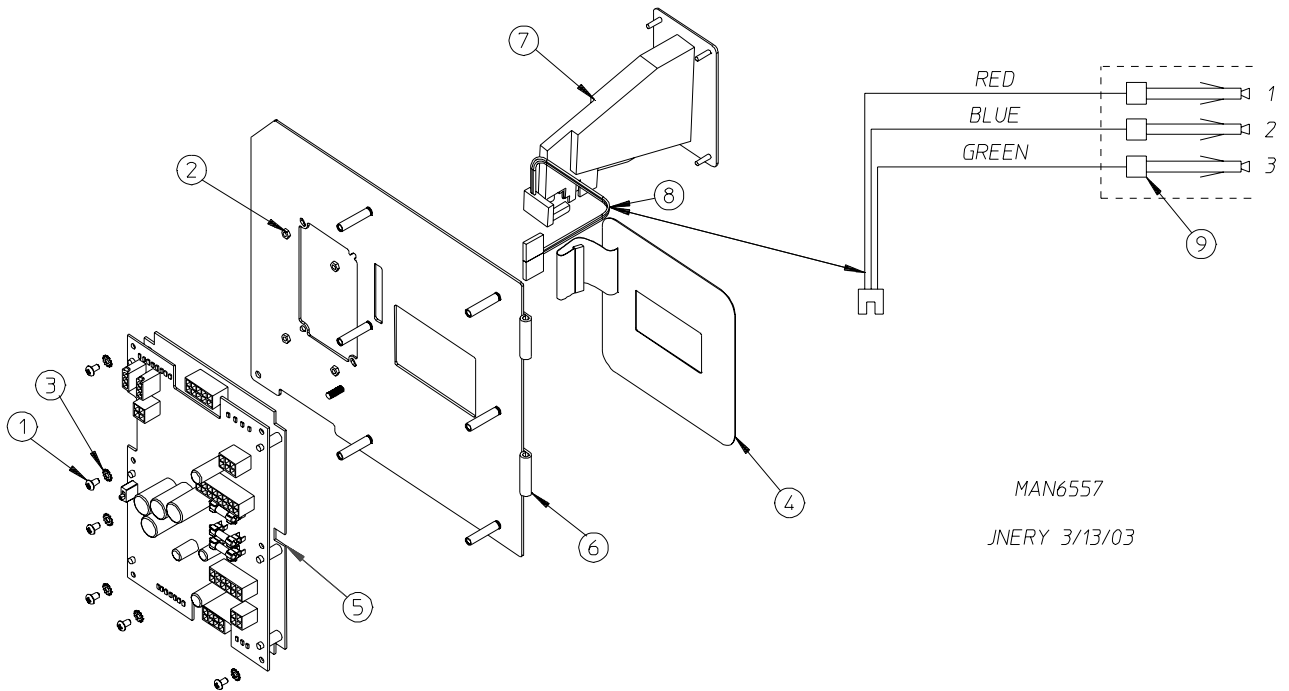


Illus. No.	Part No.	Qty.	Description
1	883459	1	AD-320 White Locking Lint Drawer (basket) Assembly Complete Less Lock (includes illus. nos. 1 and 2)
	883460	1	AD-320 Ivory Locking Lint Drawer (basket) Assembly Complete Less Lock (includes illus. nos. 1 and 2)
	883461	1	AD-320 Coral Blue Locking Lint Drawer (basket) Assembly Complete Less Lock (includes illus. nos. 1 and 2)
	883462	1	AD-320 Black Locking Lint Drawer (basket) Assembly Complete Less Lock for Stainless Steel Models ONLY
2	117604	3	Neoprene Sponge Tape (sold by the foot)
3	_____	1	Temperature Sensor Bracket <b>(refer to Temperature Sensor Probe Assembly on page 21)</b>
4	_____	1	Lint Drawer (basket) Switch <b>(refer to AD-330 / AD-320 Lint Drawer [Basket] Switch Assembly on page 23)</b>
5	160038	1	Lint Drawer Lock Assembly (keyed to number XX4451)
	160140	1	Key ONLY (key number XX4451)
	160034	1	Cam ONLY



# Single Hanke Coin, DMC Control Panel Assembly

For Domestic Single Coin (25¢) Models



MAN6557

JNERY 3/13/03

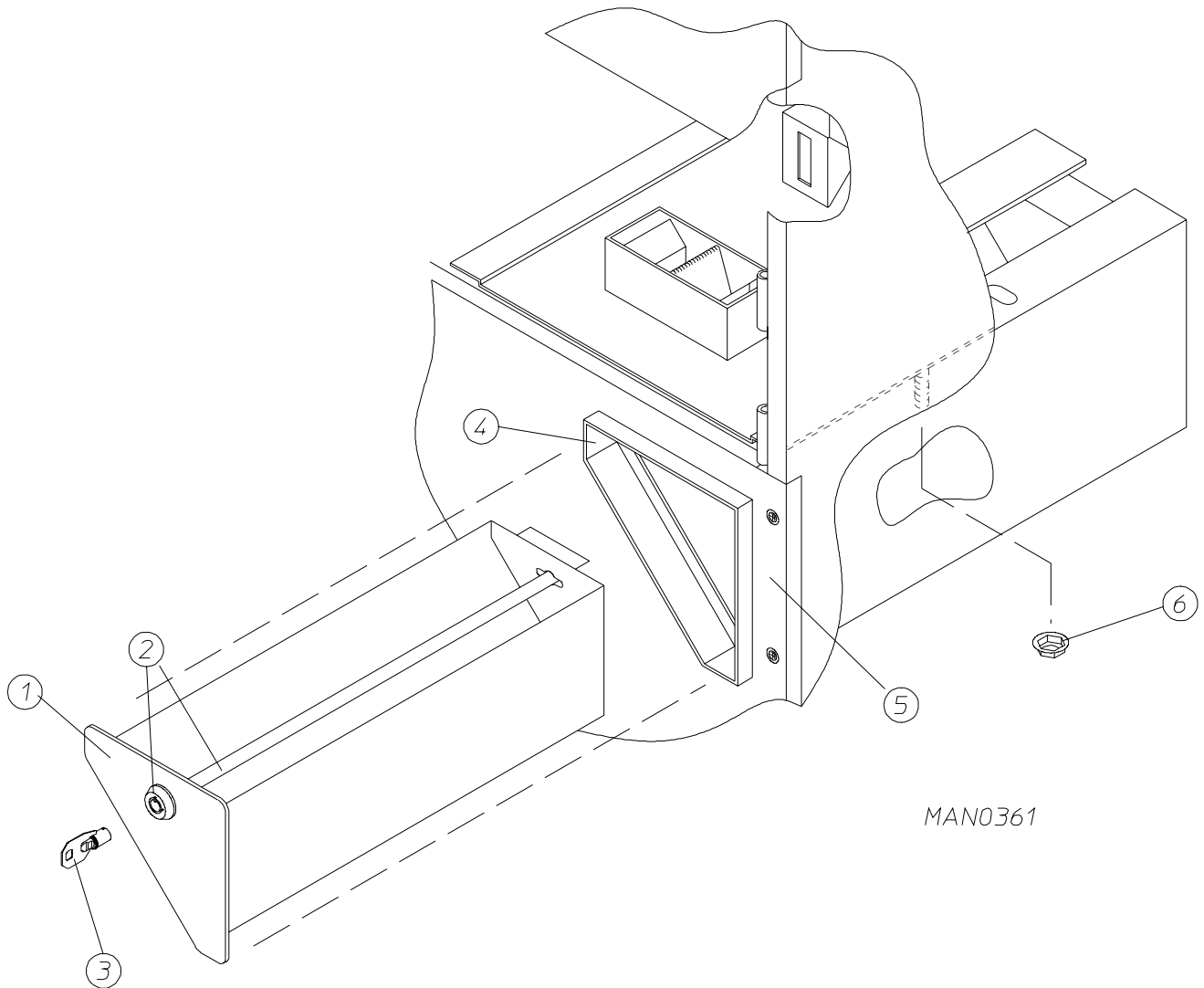
Illus. No.	Part No.	Qty.	Description
1	150005	6	#6-32 x 1/4" Phillips Round Head Machine Screw
2	152102	4	M3 Metric Hex Nut
3	153010	6	#6 Internal and External Star Washer
4	112583	1	Phase 7 Dual Microprocessor Controller Coin Keypad (for models mfd. as of August 7, 2003)
	112578	1	Phase 7 Dual Microprocessor Controller Coin Keypad (for models mfd. prior to August 7, 2003)
5	887016	1	Phase 7 Dual Microprocessor Controller with Sensor Activated Fire Extinguishing System (for models mfd. as of August 7, 2003)
	887018	1	Phase 7 Dual Microprocessor Controller without Sensor Activated Fire Extinguishing System (for models mfd. as of August 7, 2003)
	883718	1	Phase 7 Dual Microprocessor Controller Coin Board without Sensor Activated Fire Extinguishing System (for models mfd. prior to August 7, 2003)
	883719	1	Phase 7 Dual Microprocessor Controller Coin Board with Sensor Activated Fire Extinguishing System (for models mfd. prior to August 7, 2003)
6	853169	1	Phase 7 Coin Meter Panel (for models mfd. as of August 7, 2003)
	850383	1	Phase 7 Coin Meter Panel (for models mfd. prior to August 7, 2003)
7	—	—	Coin Acceptor with Optic Switch <b>(refer to Hanke Microprocessor Coin Acceptor Listing on page 10)</b> (includes illus. nos. 7 and 8)
8	883774	1	Hanke Optical Switch Assembly with Connector (includes illus. nos. 8 and 9)
9	122706	3	Female Terminal
	122633	1	3-Pin Cap
—	136016	2	(F1 and F2) 5-amp Fast Acting Fuse ... Not Illustrated
—	136047	1	(F4) 3/4-amp Fast Acting Fuse ... Not Illustrated

NOTE: Coin acceptors listed include optical switch.

### Single Coin\*

<u>ADC Part No.</u>	<u>Nation</u>	<u>Description</u>
883783	United States	25¢ Optic Coin Acceptor
883784	Canada	25¢ Canadian Optic Coin Acceptor
883785	————	0.880 x 0.062 Token Optic Coin Acceptor
883787	Japan	100 Yen Optic Coin Acceptor

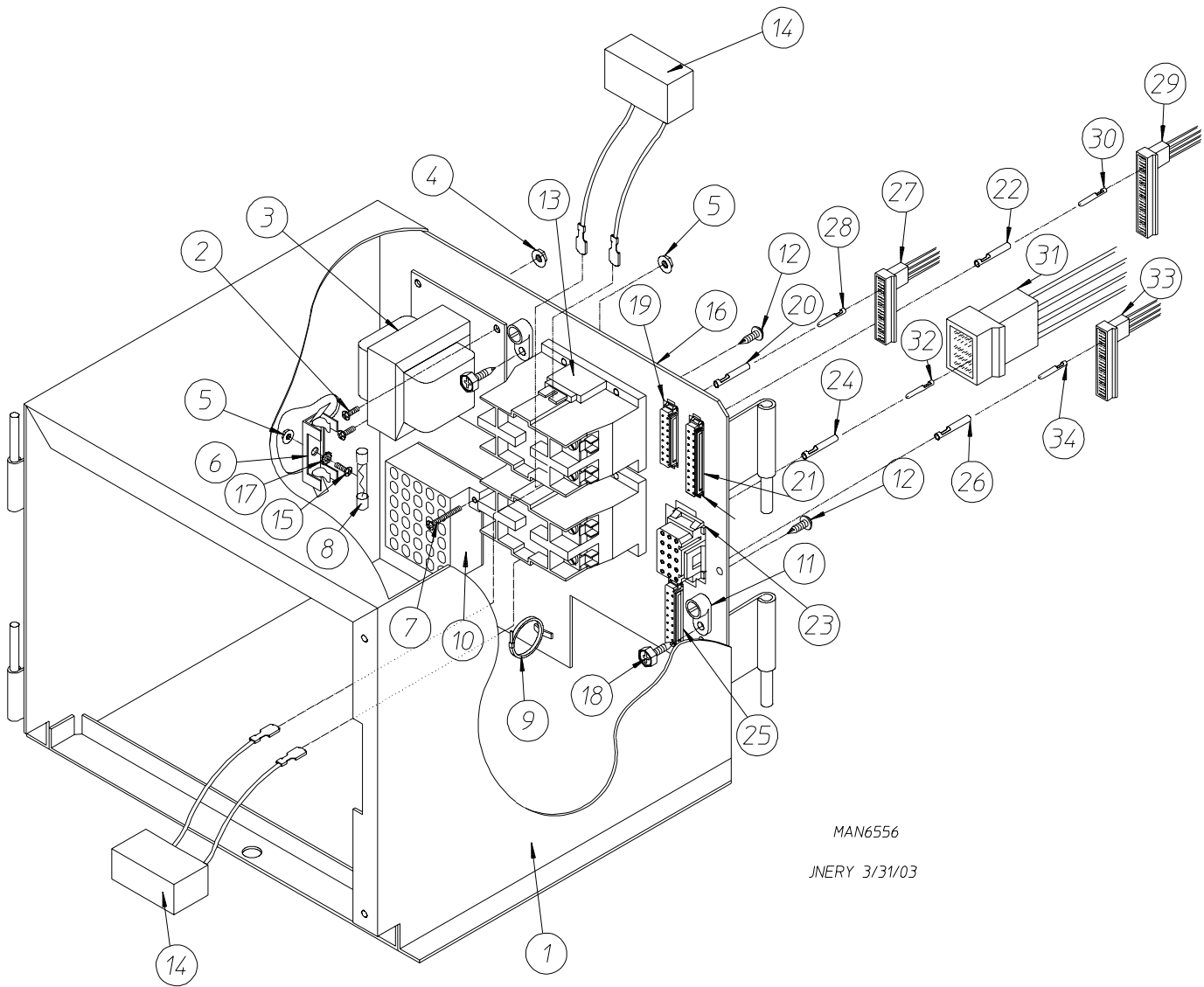
\* Consult factory for coin acceptors not listed.



Illus. No.	Part No.	Qty.	Description
1	883347	1	AD-330 / AD-320 Coin Box Assembly with Black Faceplate Less Lock
	883348	1	AD-330 / AD-320 Black Coin Box Faceplate ONLY
	883393	1	AD-330 / AD-320 Black Debit Card / Non-Coin Faceplate
2*	160036	1	ACE® Lock Assembly with Key
3*	160136	1	ACE® Key ONLY
4	883382	1	AD-330 / AD-320 Coin Vault Assembly ONLY
5	-----	1	AD-330 / AD-320 Bottom Front Panel Assembly Complete with Hinge (refer to AD-330 / AD-320 Cold Rolled Steel Door Bottom Front Panel on page 15)
6	152014	4	1/4-20 Free Spin Wash Nut

\* Specify key number when ordering.

# DMC Control Box Assembly

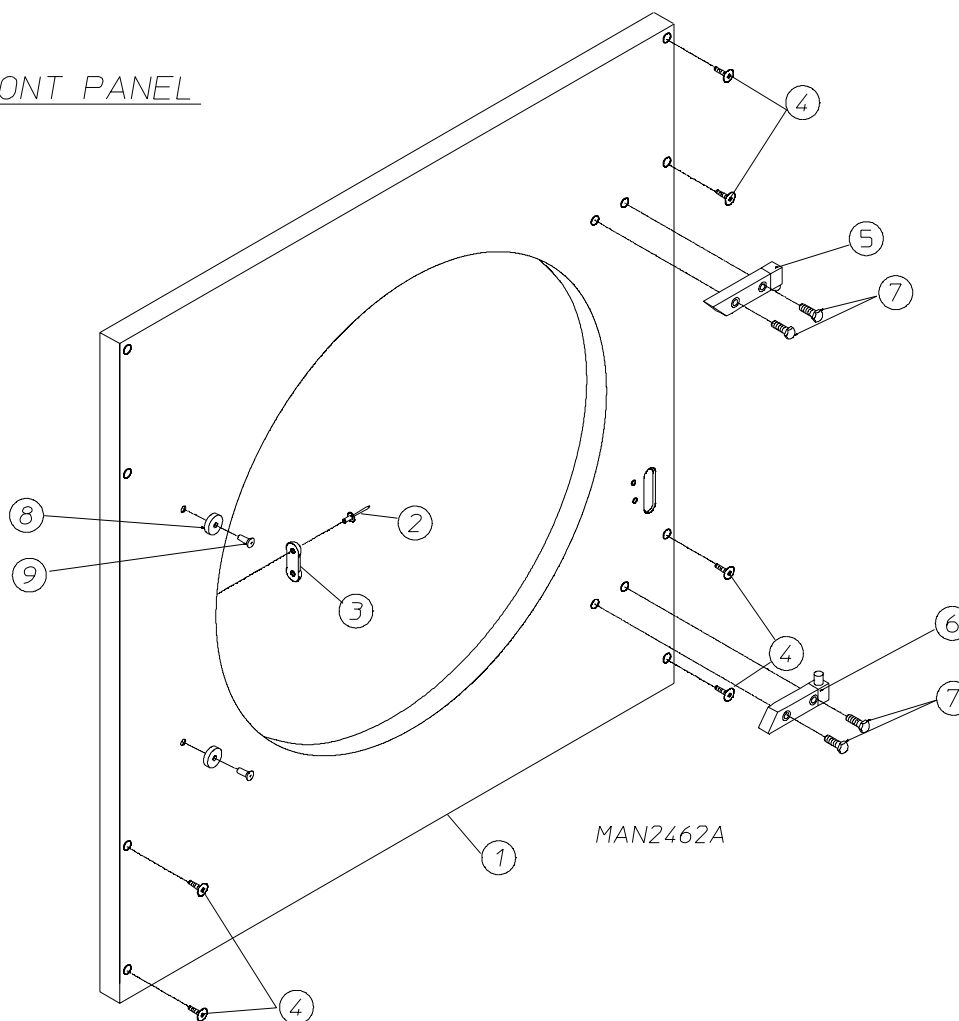


MAN6556  
JNERY 3/31/03

<u>Illus. No.</u>	<u>Part No.</u>	<u>Qty.</u>	<u>Description</u>
1	852326	1	Control Box Assembly Complete – 120V (includes illus. nos. 1 through 26)
	852337	1	Control Box Assembly Complete – 208-240V (includes illus. nos. 1 through 26)
	850911	1	Electric Box ONLY
2	150108	2	#8-32 x 1/2" Phillips Pan Head Machine Screw
3	852333	1	Transformer – 24 VAC Assembly (for 120V 50/60 Hz models Only)
	852335	1	Transformer – 24 VAC (for 208-240V 50/60 Hz models Only)
4	151001	2	#8-32 Pal Nut
5	151000	3	#6-32 Pal Nut
6	136008	1	Fuse Block
7	150002	2	#6-32 x 1" Round Head Machine Screw
8	136049	1	3/4-Amp (Slo-Blo) Fuse (for 120V 50/60 Hz models Only)
	136057	1	1/2-Amp (Slo-Blo) Fuse (for 208-240V 50/60 Hz models Only)
9	121494	10	Push Mount Wire Tie
10	120715	1	30-Position Terminal Block
11	121010	2	L-70 Terminal Lug
12	150309	2	#10-16 x 1/2" Hex Head TEK Crimptite Screw
13	132475	2	2-Pole Contactor
14	824828	2	R.C. Network with Connectors
15	150001	1	#6-32 x 1/2" Phillips Round Head Machine Screw
16	315023	1	E-Box Back Phase 7 Coin
17	153010	1	#6 Interior and Exterior Star Washer
18	120910	2	#10-32 Green Ground Screw
19	122689	1	16-Pin Connector
20	182363	16	Male Crimp Pin (for illus. no. 19)
21	122687	1	20-Pin Connector
22	182363	20	Male Crimp Pin (for illus. no. 21)
23	122626	1	15-Pin Connector
24	122705	15	Female Crimp Socket (for illus. no. 23)
25	122685	1	14-Pin Connector
26	182363	14	Male Crimp Pin (for illus. no. 25)
27	122667	1	16-Pin Connector
28	122669	16	Female Crimp Socket (for illus. no. 27)
29	122668	1	20-Pin Connector
30	122669	20	Female Crimp Socket (for illus. no. 29)
31	122625	1	15-Pin Connector
32	122704	15	Male Crimp Pin (for illus. no. 31)
33	122686	1	14-Pin Connector
34	122669	14	Female Crimp Socket (for illus. no. 33)
	122672	1	Pin / Socket Extraction Tool ... Not Illustrated

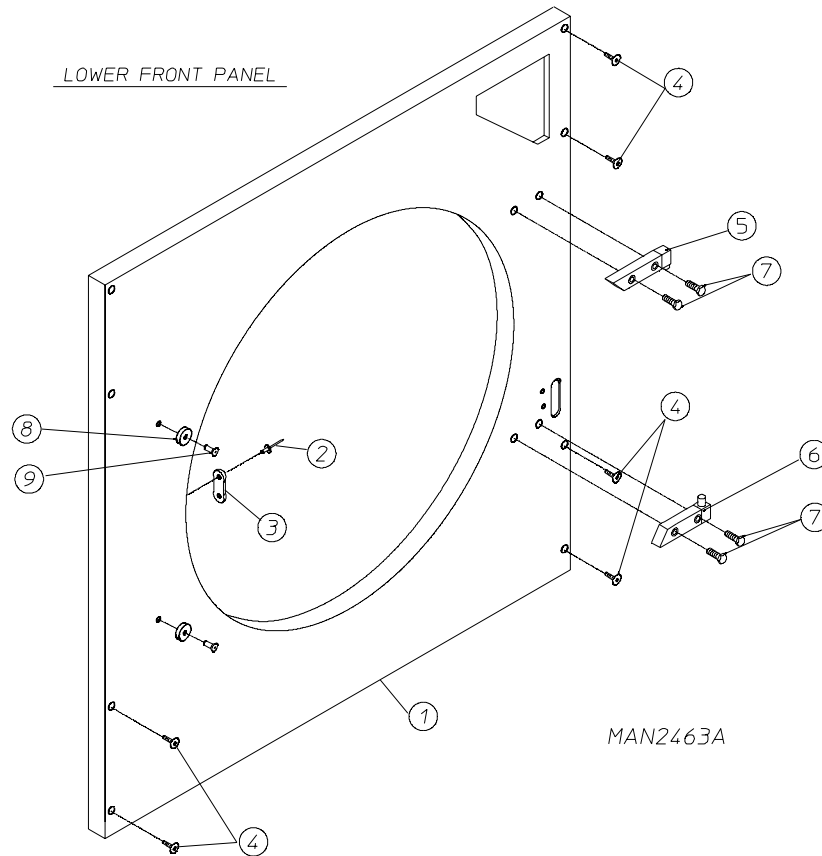
# AD-330 / AD-320 Cold Rolled Steel Door Top Front Panel

## UPPER FRONT PANEL



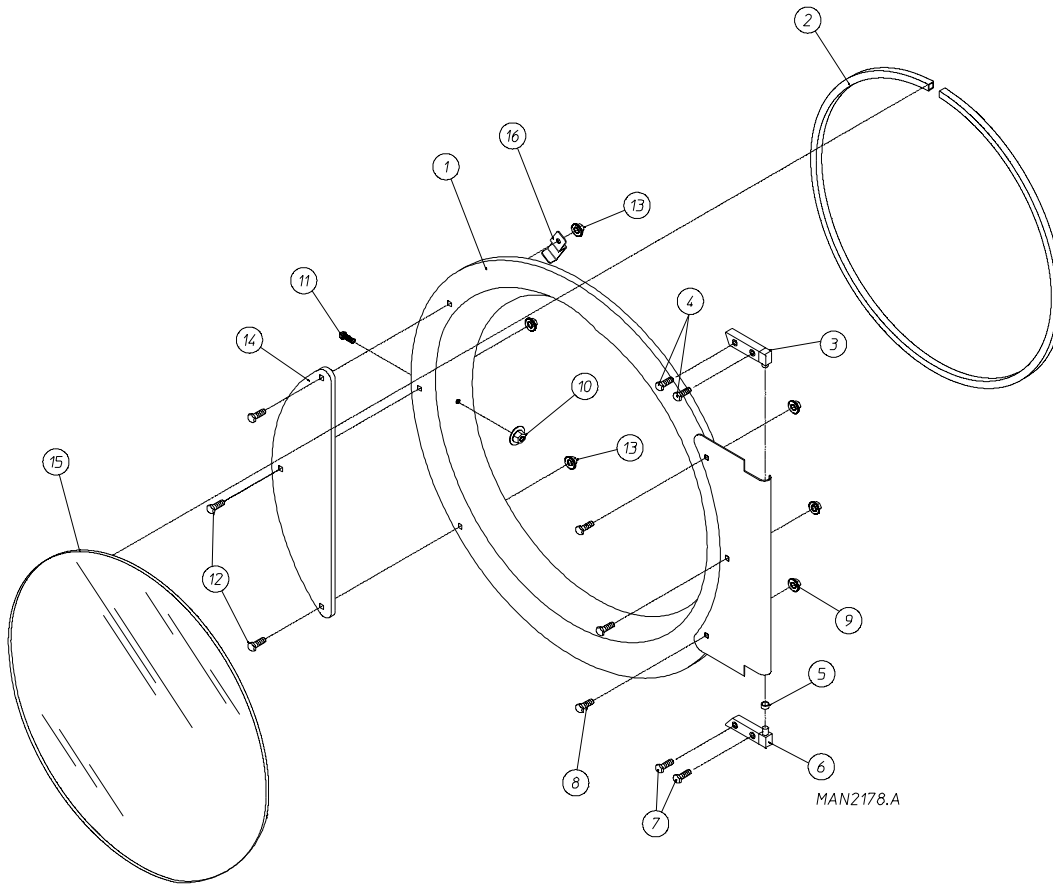
Illus. No.	Part No.	Qty.	Description
1	883411	1	AD-330 / AD-320 White Front Panel Assembly (includes illus. nos. 1 through 3)
	822676	1	AD-330 / AD-320 Magnetic Front Panel Assembly (for models mfd. as of August 14, 2007)
	883413	1	AD-330 / AD-320 Ivory Front Panel Assembly (includes illus. nos. 1 through 3)
	883412	1	AD-330 / AD-320 Coral Blue Front Panel Assembly (includes illus. nos. 1 through 3)
	883415	1	AD-330 / AD-320 Stainless Steel Front Panel Assembly (includes illus. nos. 1 through 3)
2	154215	2	1/8" Pop Rivet
3	170330	1	Friction Door Latch
4	150313	8	#10-16 x 1/2" TORX PLUS® BTN Head Screw
5	881152	1	Black Top Hinge Block Assembly
6	881151	1	Black Bottom Hinge Block Assembly
7	150445	4	1/4-20 x 3/4" Black Screw
8	102004	2	0.75 Round Door Magnet
9	152223	2	#10-32 x 0.5 TORX® Screw

# AD-330 / AD-320 Cold Rolled Steel Door Bottom Front Panel



Illus. No.	Part No.	Qty.	Description
1	883405	1	AD-330 / AD-320 White Bottom Front Panel Assembly (for coin models Only) (includes illus. nos. 1 through 3)
	883407	1	AD-330 / AD-320 Ivory Bottom Front Panel Assembly (for coin models Only) (includes illus. nos. 1 through 3)
	883406	1	AD-330 / AD-320 Coral Blue Bottom Front Panel Assembly (for coin models Only) (includes illus. nos. 1 through 3)
	883414	1	AD-330 / AD-320 Stainless Steel Bottom Front Panel Assembly (for coin models Only) (includes illus. nos. 1 through 3)
	883411	1	AD-330 / AD-320 White Non-Coin Bottom Front Panel Assembly (includes illus. nos. 1 through 3)
	883413	1	AD-330 / AD-320 Ivory Non-Coin Bottom Front Panel Assembly (includes illus. nos. 1 through 3)
	883412	1	AD-330 / AD-320 Coral Blue Non-Coin Bottom Front Panel Assembly (includes illus. nos. 1 through 3)
	883415	1	AD-330 / AD-320 Stainless Steel Non-Coin Bottom Front Panel Assembly (includes illus. nos. 1 through 3)
2	154215	2	1/8" Pop Rivet
3	170330	1	Friction Door Latch
4	150313	8	#10-16 x 1/2" TORX PLUS® BTN Head Screw
5	881152	1	Black Top Hinge Block Assembly (includes illus. nos. 5 and 7)
6	881151	1	Black Bottom Hinge Block Assembly (includes illus. nos. 6 and 7)
7	150445	4	1/4-20 x 3/4" Black Screw
8	102004	2	0.75 Round Door Magnet
9	152223	2	#10-32 x 0.5 TORX® Screw

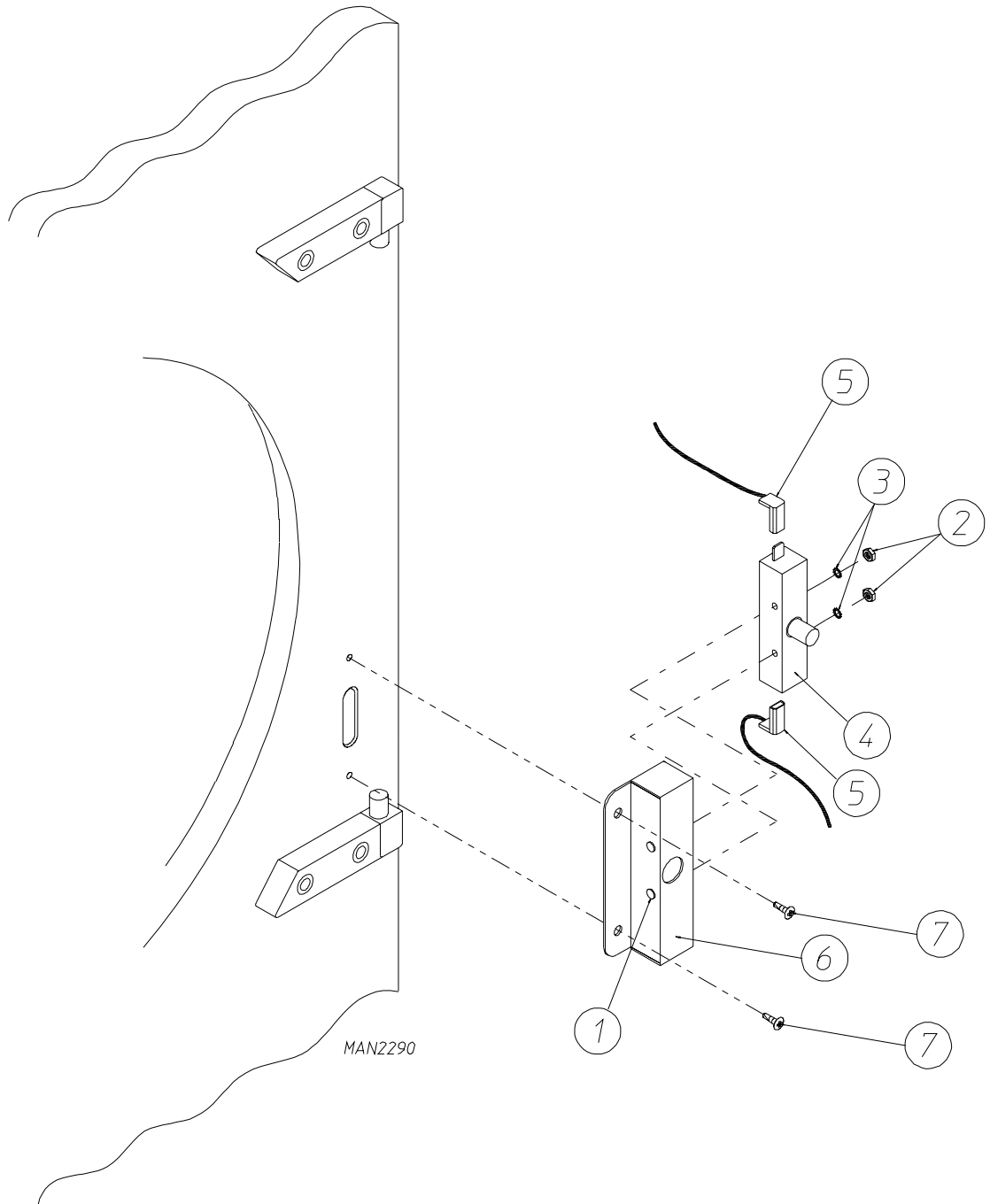
# Main Door "Steel" Assembly



Illus. No.	Part No.	Qty.	Description
1	822661	1	Magnet Black Main Door Assembly Complete (for AD-330 / AD-320 models mfd. as of August 14, 2007) (includes illus. nos. 1, 2, 8, 9, and 12 through 16)
	881150	1	Latch Black Main Door Assembly Complete (for AD-330 / AD-320 models mfd. prior to August 14, 2007) (includes illus. nos. 1, 2, 8, and 9 through 15)
2	102354	1	Door Gasket
	401010	1	Mastic Adhesive (5 oz. tube)
3	881152	1	Black Top Hinge Block Assembly (includes illus. nos. 3 and 4)
4	150445	2	1/4-20 x 3/4" Black Cap Head Setscrew
5	153031	1	1/4" Nylon Washer
6	881151	1	Black Bottom Hinge Block Assembly (includes illus. nos. 5 through 7)
7	150445	2	1/4-20 x 3/4" Black Cap Head Setscrew
8	150683	3	1/4-20 x 5/8" Black Carriage Bolt
9	152014	3	1/4-20 Free Spin Wash Nut
10	151010	1	#10-32 Black Hex Acorn Nut (latch models Only)
11	150120	1	Door Screw (latch models Only)
12	150683	3	1/4-20 x 5/8" Black Carriage Bolt
13	152014	3	1/4-20 Free Spin Wash Nut
14	881210	1	Black Main Door Handle ONLY
15	102211	1	20-7/16" Door Glass
	170730	1	Adhesive (10.3 oz. cartridge)
16	319298	2	Magnet Bracket (for AD-330 / AD-320 models mfd. as of August 14, 2007)

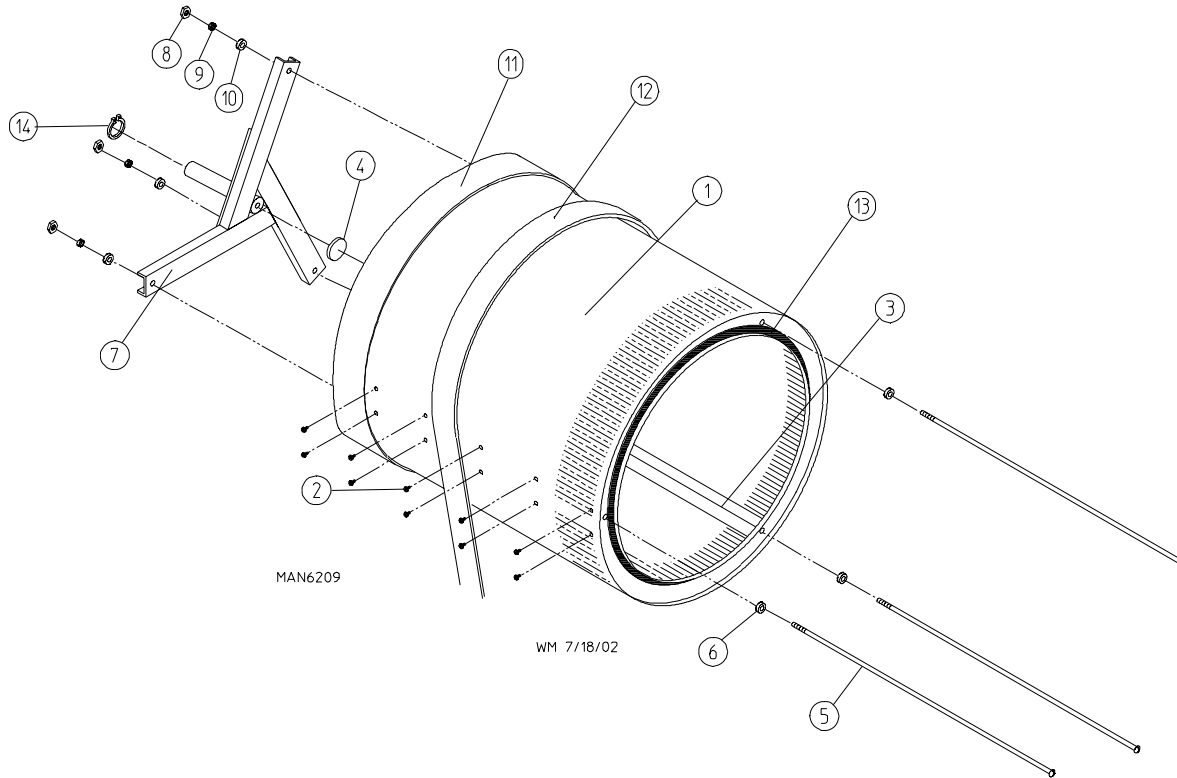


# Main Door Switch Assembly for Cold Rolled Steel Type Door



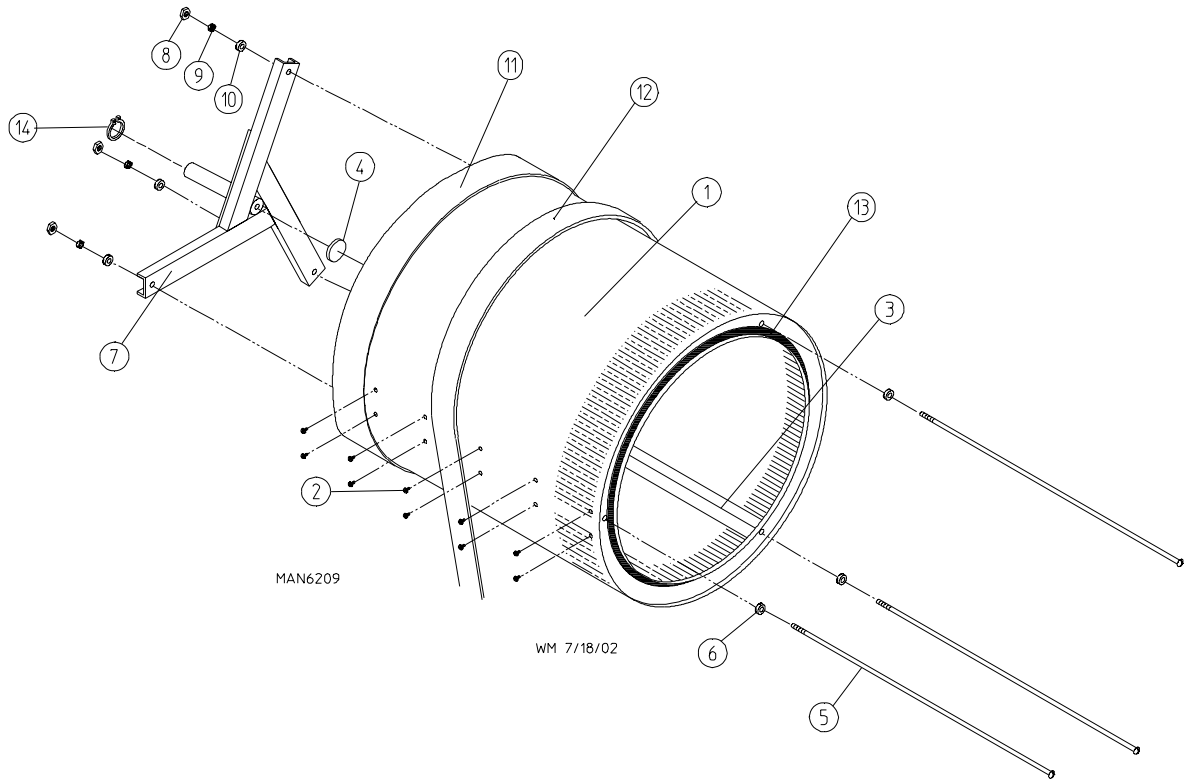
Illus. No.	Part No.	Qty.	Description
1	150006	2	#6-32 x 7/8" Phillips Pan Head Screw
2	152013	2	#6-32 Hex Nut
3	153010	2	#6 Star Washer
4	137005	1	Single-Pole Door Switch
5	122636	2	Flag Terminal
6	881211	1	Main Door Switch Housing (includes illus. nos. 1 through 3 and 6)
7	150301	2	#8-18 x 7/16" Phillips Pan Head TEK Screw

# AD-330 Tumbler / Support Assemblies



Illus. No.	Part No.	Qty.	Description
1	800763	1	Tumbler and Support Assembly Complete with Felt Collars (includes illus. nos. 1 through 11, 13, and 14)
	800765	1	Stainless Steel Tumbler and Support Assembly Complete with Felt Collars (includes illus. nos. 1 through 11, 13, and 14)
	800722*	1	Tumbler ONLY without Felt Collars (includes illus. nos. 1 through 3)
	800740*	1	Stainless Steel Tumbler ONLY without Felt Collars (includes illus. nos. 1 through 3)
2	150313	30	#10-16 x 1/2" TORX PLUS® BTN Head Screw
3	301315	2	Short Tumbler Rib ONLY
	301316	1	Tall Tumbler Rib ONLY
	301433	2	Stainless Steel Short Tumbler Rib
	301434	1	Stainless Steel Tall Tumbler Rib
4	115986	1	1/4" x 2" Tumbler Felt Pad
5	882050	3	Tie Rod (includes illus. nos. 5, 6, and 8 through 10)
6	153004	3	3/8" x 1" Flat Washer
7	850066	1	Tumbler Support ONLY
8	152027	3	3/8-18 Hex Nut
9	153005	3	3/8" Lock Washer
10	153004	3	3/8" Flat Washer
11	115999	1	Felt Collar ONLY
	401010	1	#847 Adhesive for Felt Collar (5 oz. tube)
12	100173	1	12-Rib 95" (J) Poly Belt <b>(refer to 12-Rib 95" [J] Poly Belt Arrangement on page 34)</b>
13	115992	1	Inner Ring Felt Collar ONLY
14	100812	1	1-3/8" Retaining Ring

\* Felt collars are not included and must be ordered separately.

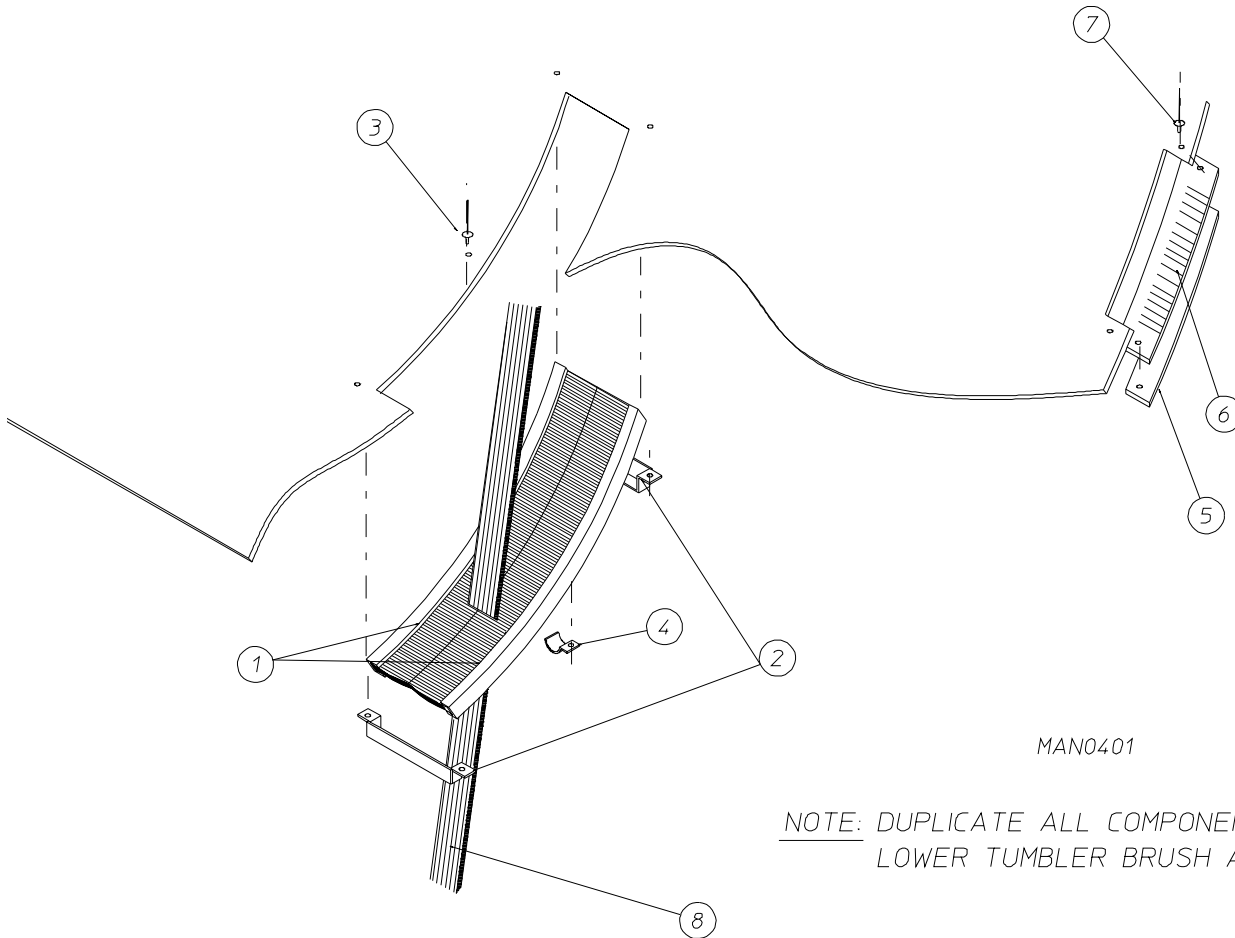


Illus. No.	Part No.	Qty.	Description
1	800835	1	Tumbler and Support Assembly Complete with Felt Collars (includes illus. nos. 1 through 11, 13, and 14)
	800760	1	Stainless Steel Tumbler and Support Assembly Complete with Felt Collars (includes illus. nos. 1 through 11, 13, and 14)
	800726*	1	Tumbler ONLY without Felt Collars (includes illus. nos. 1 through 3)
	800739*	1	Stainless Steel Tumbler ONLY without Felt Collars (includes illus. nos. 1 through 3)
2	150313	30	#10-16 x 1/2" TORX PLUS® BTN Head Screw
3	301318	2	Short Tumbler Rib ONLY
	301317	1	Tall Tumbler Rib ONLY
	301432	2	Stainless Steel Short Tumbler Rib
	301431	1	Stainless Steel Tall Tumbler Rib
4	115986	1	1/4" x 2" Tumbler Felt Pad
5	882051	3	Tie Rod (includes illus. nos. 5, 6, and 8 through 10)
6	153004	3	3/8" x 1" Flat Washer
7	850066	1	Tumbler Support ONLY
8	152027	3	3/8-18 Hex Nut
9	153005	3	3/8" Lock Washer
10	153004	3	3/8" Flat Washer
11	115999	1	Felt Collar ONLY
	401010	1	#847 Adhesive for Felt Collar (5 oz. tube)
12	100173	1	12-Rib 95" (J) Poly Belt <b>(refer to 12-Rib 95" [J] Poly Belt Arrangement on page 34)</b>
13	115992	1	Inner Ring Felt Collar ONLY
14	100812	1	1-3/8" Retaining Ring

\* Felt collars are not included and must be ordered separately.

# Tumbler Brush Assembly

## UPPER TUMBLER BRUSH

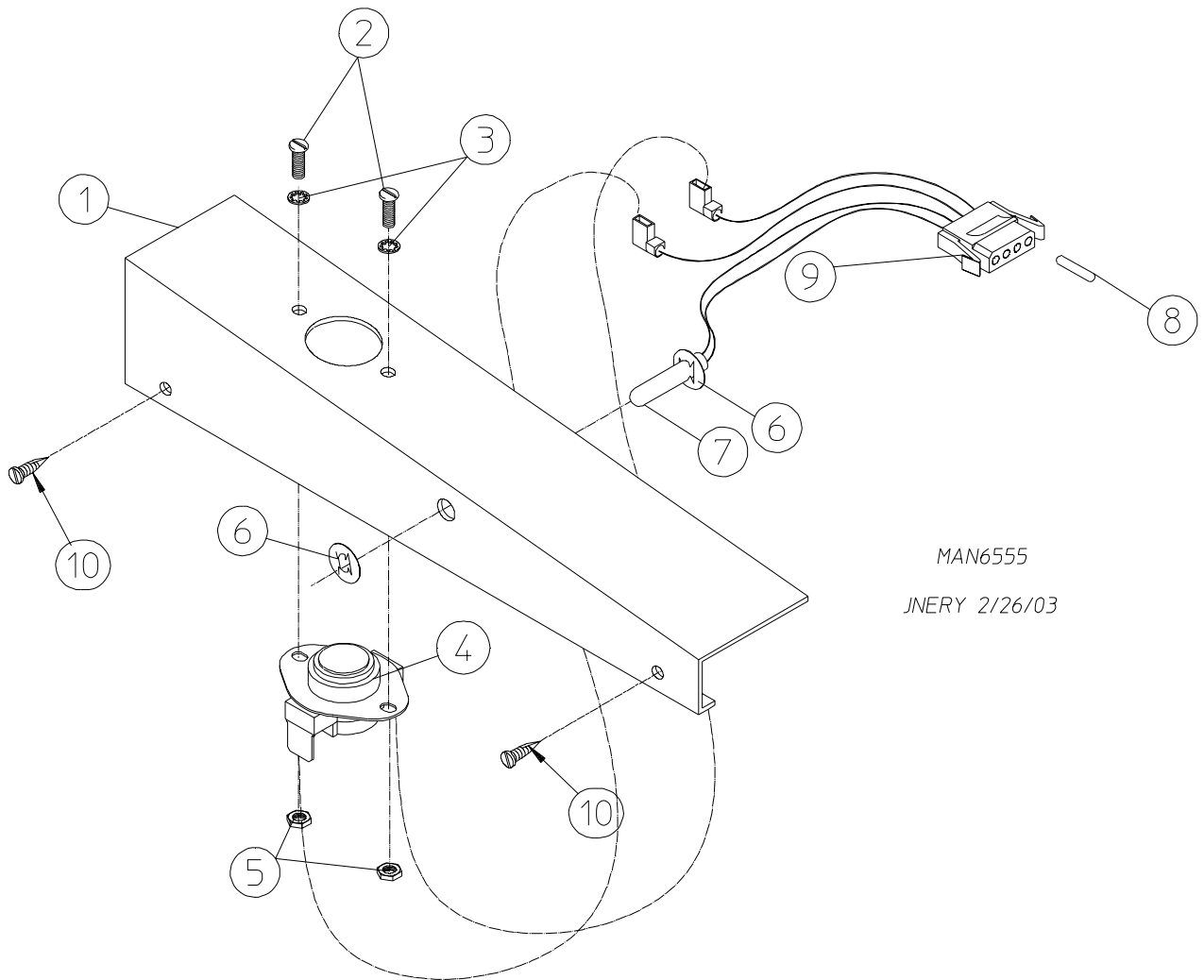


MAN0401

NOTE: DUPLICATE ALL COMPONENTS FOR  
LOWER TUMBLER BRUSH ASSEMBLY

<u>Illus. No.</u>	<u>Part No.</u>	<u>Qty.</u>	<u>Description</u>
1	170198	2	AD-330 / AD-320 Drive Belt Sealing Brush
2	317656	2	AD-330 / AD-320 Sealing Brush Clip End
3	154200	6	5/32" x 1/8" Pop Rivet
4	120117	2	3/8" EMT Hanger
5	317651	1	AD-330 / AD-320 Wrapper Gasket Strip
6	102325	1	8-1/2" x 1-1/2" x 1/8" Wrapper Channel Gasket
7	154210	2	5/32" x 3/16" Pop Rivet
8	100173	1	12-Rib 95" (J) Poly Belt (refer to 12-Rib 95" [J] Poly Belt Arrangement on page 34)

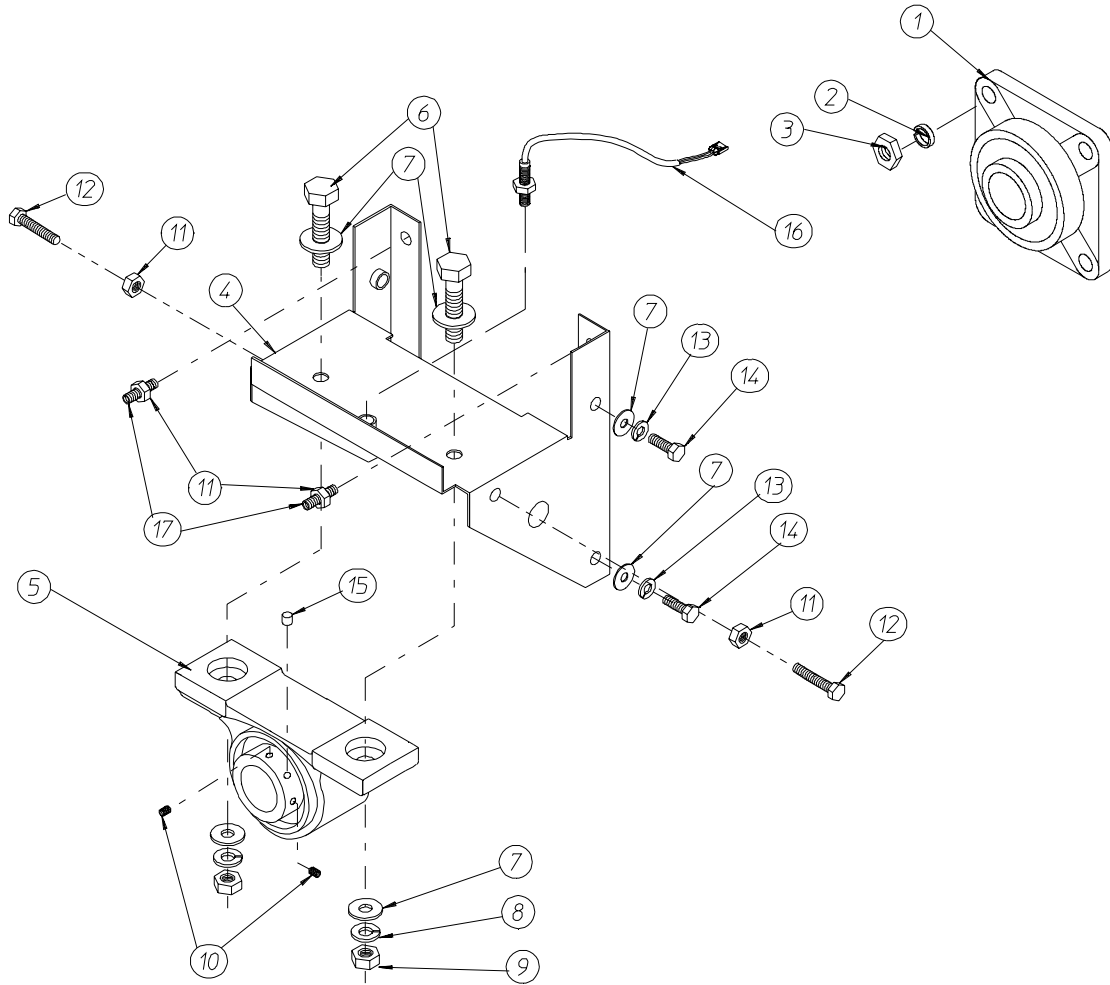
# Temperature Sensor Probe Assembly



MAN6555  
JNERY 2/26/03

Illus. No.	Part No.	Qty.	Description
1	852324	1	Temperature Sensor Bracket Assembly Complete (includes illus. nos. 1 through 10)
2	150005	2	#6-32 x 1/4" Phillips Head Machine Screw
3	153010	2	#6 Star Washer
4	130106	1	170° Large Thermostat
5	152000	2	#6-32 Hex Nut
6	154007	2	1/4" Tinnerman Push-On Fastener
7	852321	1	Temperature Sensor Probe Assembly (includes illus. nos. 7 through 9)
8	122701	4	Socket Terminal ONLY
9	122605	1	4-Pin Socket Connector (female)
10	150301	2	#8-18 x 7/16" Phillips Pan Head TEK Screw
	122801	1	Pin / Socket Extraction Tool ... Not Illustrated

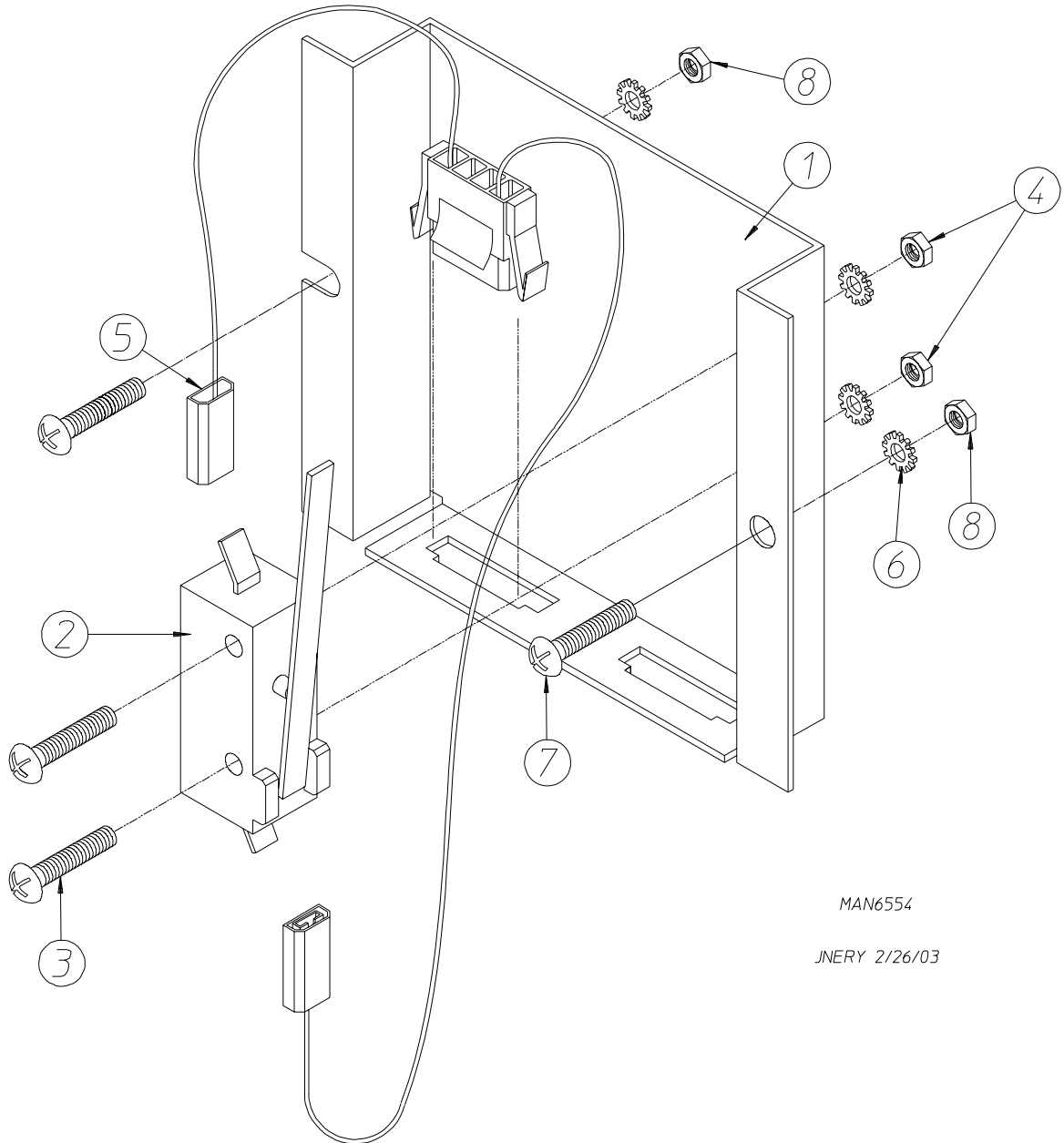
# Tumbler Bearing Assembly



MAN6036

Illus. No.	Part No.	Qty.	Description
1	880203	1	1-3/8" Flange Bearing ONLY
2	153005	4	3/8" Lock Washer
3	152005	4	3/8-16 Hex Nut
4	883387	1	Bearing Assembly Complete for Models Mfd. with Rotational Sensor (includes illus. nos. 4 through 17)
	882543	1	Bearing Support ONLY
5	880779	1	1-3/8" Pillow Block Bearing
6	150601	2	3/8-16 x 2" Hex Bolt
7	153004	8	3/8" Flat Washer
8	153005	2	3/8" Lock Washer
9	152005	2	3/8-16 Hex Nut
10	154326	2	5/16-24 x 3/8" Setscrew (black)
11	152004	4	5/16-18 Hex Nut
12	150621	2	5/16-18 x 1-1/2" Tap Bolt
13	153002	4	5/16" Lock Washer
14	150501	4	5/16-18 x 3/4" Tap Bolt
15	102120	1	Sintered 8 Magnet
16	822735	1	Rotational Sensor Assembly
17	150610	2	5/16-18 x 1-1/2" Allen Setscrew

# AD-330 / AD-320 Lint Drawer (Basket) Switch Assembly



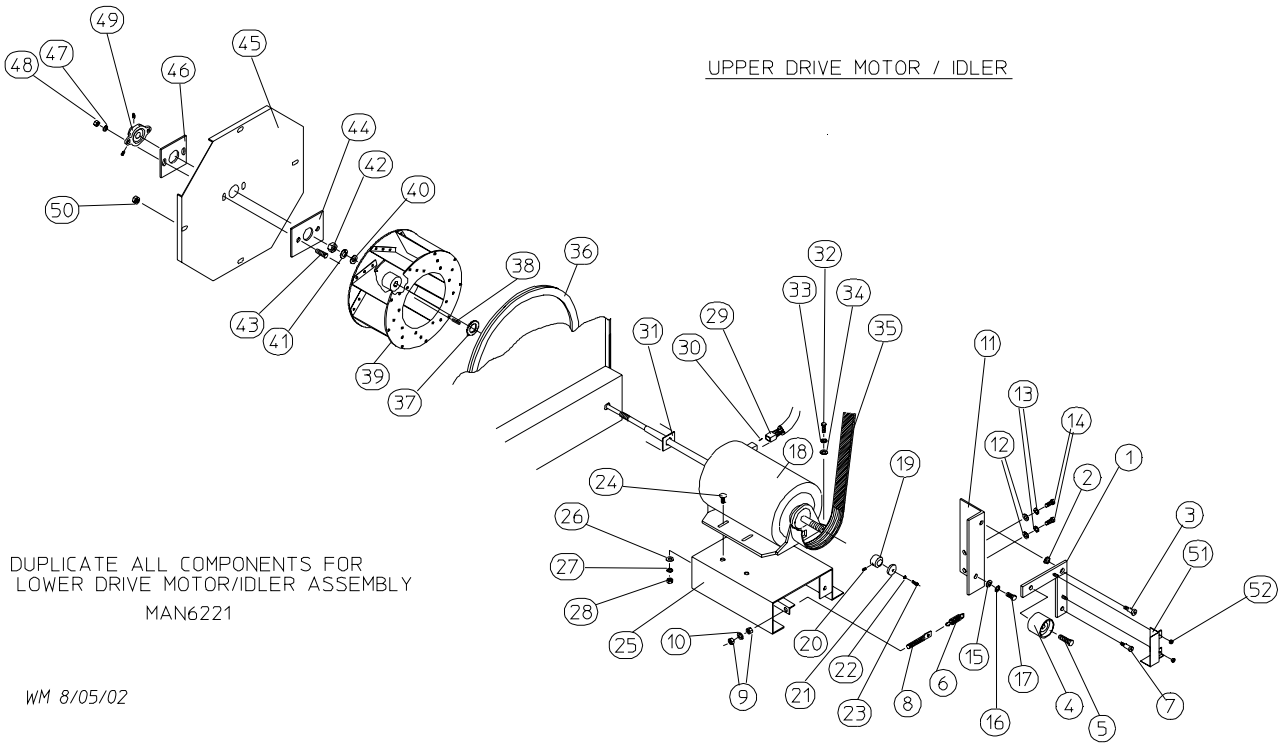
MAN6554

JNERY 2/26/03

Illus. No.	Part No.	Qty.	Description
1	304039	1	AD-330 / AD-320 Lint Drawer Switch Bracket
2	136992	1	Lint Drawer Safety Switch
3	150006	2	#6-32 x 7/8" Round Head Machine Screw
4	152013	2	#6-32 Hex Nut
5	852341	1	AD-330 / AD-320 Phase 7 Lint Switch Harness Top and Bottom
6	153010	4	#6 Internal and External Star Washer
7	150001	2	#6-32 x 7/8" Phillips Round Head Machine Screw
8	152000	2	#6-32 Hex Nut
	122801	1	Pin / Socket Extraction Tool ... Not Illustrated
-	852340	1	Lint Drawer Switch Assembly Complete (includes illus. nos. 1 through 8)

# Totally Enclosed, Non-Vent Motor / Idler Assemblies

UPPER DRIVE MOTOR / IDLER



NOTE: DUPLICATE ALL COMPONENTS FOR  
LOWER DRIVE MOTOR/IDLER ASSEMBLY  
MAN6221

WM 8/05/02

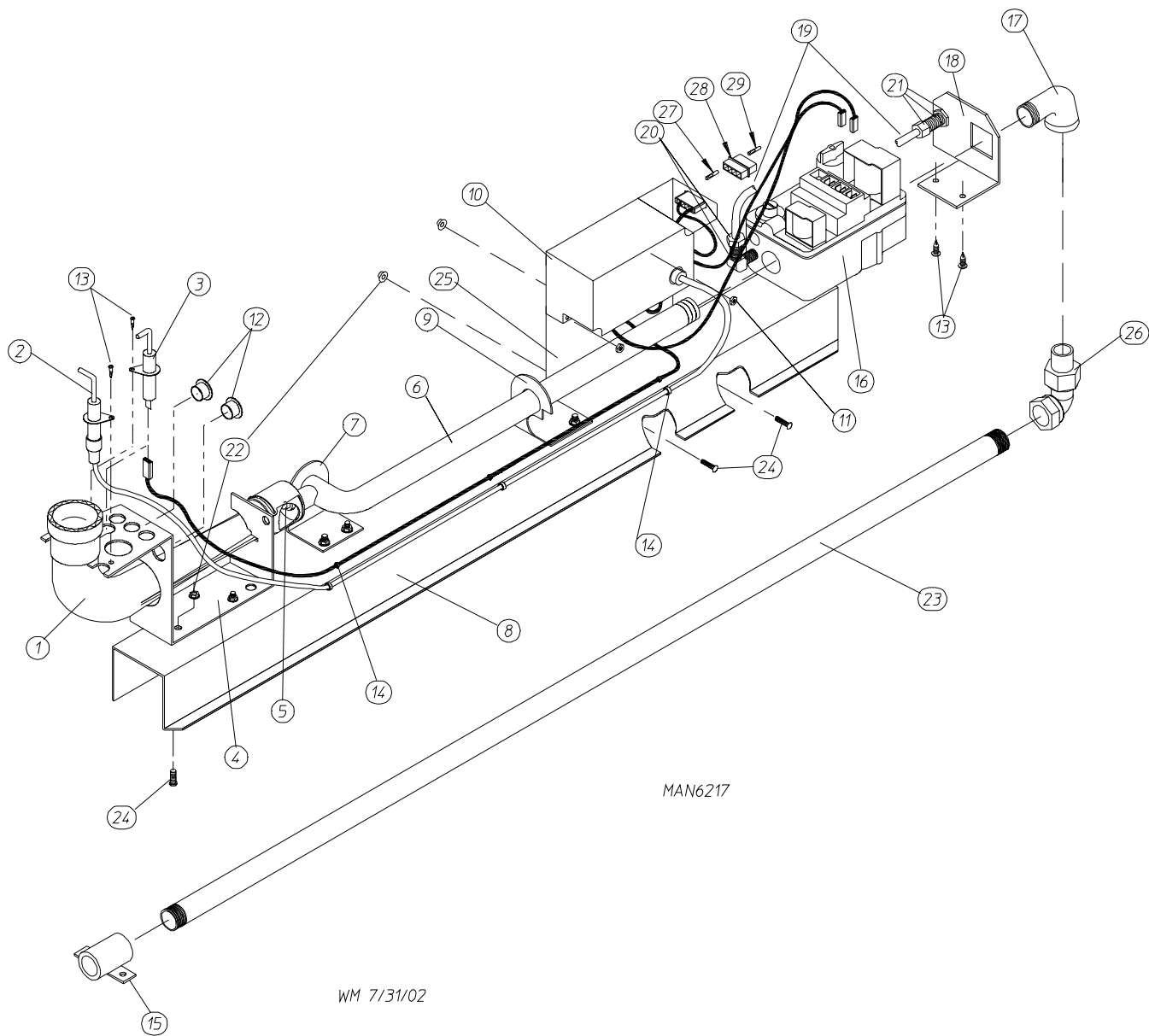
Illus. No.	Part No.	Qty.	Description
1	882910	1	Idler Arm ONLY
	801019	1	Idler Arm Assembly with Hardware (includes illus. nos. 1 through 10)
2	121350	1	13/32" x 3/8" I.D. Bronze
3	154266	1	3/8" x 3/8" Shoulder Screw
4	100250	1	Back Side Idler Assembly
5	150600	1	3/8-16 x 1-1/2" Hex Head Machine Bolt
6	157010	1	1-7/8" Extension Spring
7	154276	1	1/4-20 x 5/8" Shoulder Bolt
8	154275	1	3/8-16 x 3-3/8" Spade Bolt
9	152005	2	3/8-16 Hex Nut
10	153005	1	3/8" Lock Washer
11	850135	1	Idler Angle
12	153001	2	5/16" Flat Washer
13	153002	2	5/16" Lock Washer
14	150501	2	5/16-18 x 3/4" Hex Head Machine Bolt
15	153001	2	5/16" Flat Washer
16	153002	2	5/16" Lock Washer
17	150501	2	5/16-18 x 3/4" Hex Head Machine Bolt
18	100064	1	1/3 hp 120/230v 1ø 60 Hz Totally Enclosed, Non-Vent Motor with Plug
	100049	1	1/3 hp 100-230v 1ø 50 Hz Totally Enclosed, Non-Vent Motor with Plug
19	101097	1	Rear Motor Shaft Bushing (for 60 Hz models)
	101099	1	Rear Motor Shaft Bushing (for 50 Hz models)
20	154327	1	1/4-20 x 3/8" Socket Setscrew



## *Totally Enclosed, Non-Vent Motor / Idler Assemblies*

<u>Illus. No.</u>	<u>Part No.</u>	<u>Qty.</u>	<u>Description</u>
21	101096	1	Front Motor Shaft Bushing (50/60 Hz)
22	153024	1	#10 Lock Washer
23	150216	1	#10-32 x 3/4" Left Hand Phillips Round Head Screw
24	154279	4	5/16-18 x 3/4" Carriage Bolt
25	800917	1	Motor Mount ONLY
	803918	1	1/3 hp 120/230v 1ø 60 Hz Totally Enclosed, Non-Vent Motor Mount Assembly Complete (includes illus. nos. 11 through 28 and 31)
	803926	1	1/3 hp 120/230v 1ø 50 Hz Totally Enclosed, Non-Vent Motor Mount Assembly Complete (includes illus. nos. 11 through 28 and 31)
26	153001	4	5/16" Flat Washer
27	153002	4	5/16" Lock Washer
28	152004	4	5/16-18 Hex Nut
29	137030	1	8-Pin Housing
30	122701	8	Socket Terminal ONLY
	122801	1	Pin / Socket Extraction Tool ... Not Illustrated
31	116010	1	Felt Motor Seal ONLY
32	150501	4	5/16-18 x 3/4" Hex Head Machine Bolt
33	153002	4	5/16" Lock Washer
34	153001	4	5/16" Flat Washer
35	100173	1	12-Rib 95" Belt
36	117604	3	Neoprene Sponge Tape (sold by the foot)
37	153054	1	Motor Washer (for 50 Hz models)
38	100705	1	3/16" x 3/16" x 1-3/8" Key
39	802831	1	12-1/2" Riveted Impellor with 3/4" Bore (for 60 Hz models)
	802830	1	12-1/2" Riveted Impellor with 5/8" Bore (for 50 Hz models)
40	153051	1	3/4" Flat Washer (for 60 Hz models)
	153054	1	Motor Washer (for 50 Hz models)
41	153040	1	3/4" Lock Washer (for 60 Hz models)
	153015	1	5/8" Lock Washer (for 50 Hz models)
42	152025	1	3/4-16 Jam Nut (for 60 Hz models)
	152030	1	5/8-18 Jam Nut (for 50 Hz models)
43	153525	2	1/4-20 x 1" Self-Clinching Stud
44	850132	1	Bearing Backup Plate (includes illus. nos. 43 and 44)
	852104	1	Bearing Backup Plate Assembly (includes illus. nos. 43, 44, and 46 through 48)
45	880885	1	Impellor Cover
46	116011	1	Bearing Felt Seal
47	153007	2	1/4" Lock Washer
48	152002	2	1/4-20 Hex Nut
49	880225	1	1/2" Flange Bearing
50	152014	4	1/4-20 Free Spin Wash Nut
51	314423	1	Belt Guard
52	150212	2	#10-32 x 5/16" Phillips Pan Head Stainless Steel Screw

# AD-330 / AD-320 Gas Train Assembly



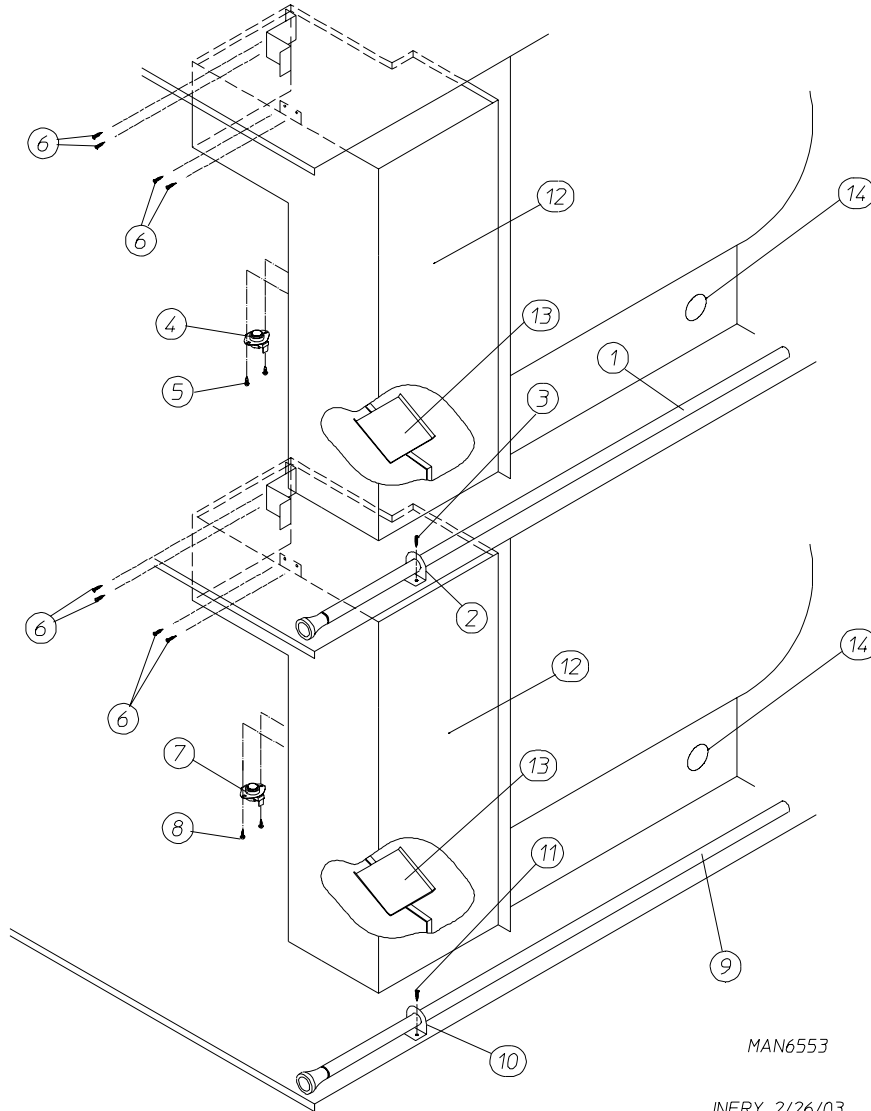
## AD-330 / AD-320 Gas Train Assembly

<u>Illus. No.</u>	<u>Part No.</u>	<u>Qty.</u>	<u>Description</u>
1	141130	1	Up-Shot Gas Burner
2	128917	1	Spark Ignitor
3	128918	1	Flame Sensor
4	318009	1	Burner Tube Bracket
5	140823*	1	AD-320 #26 Burner Orifice (natural gas) ONLY
	140809*	1	AD-320 #43 Burner Orifice (liquid propane gas) ONLY
	140856*	1	AD-330 #23 Burner Orifice (natural gas) ONLY
	140810*	1	AD-330 #42 Burner Orifice (liquid propane gas) ONLY
6	141245	1	AD-320 14-7/16" Single-Port Manifold
	141225	1	AD-330 19-7/16" Single-Port Manifold
7	318600	1	Manifold Bracket
8	883439**	1	AD-320 Direct Spark Ignition Natural Gas Train Assembly Complete (includes illus. nos. 1 through 4, 6 through 14, 16 through 22, and 24 through 26)
	883438**	1	AD-320 Direct Spark Ignition Liquid Propane Gas Train Assembly Complete (includes illus. nos. 1 through 4, 6 through 14, 16 through 22, and 24 through 26)
	319525	1	AD-320 Gas Train Slide ONLY
	883436**	1	AD-330 Direct Spark Ignition Natural Gas Train Assembly Complete (includes illus. nos. 1 through 4, 6 through 14, 16 through 22, and 24 through 26)
	883437**	1	AD-330 Direct Spark Ignition Liquid Propane Gas Train Assembly Complete (includes illus. nos. 1 through 4, 6 through 14, 16 through 22, and 24 through 26)
	319522	1	AD-330 Gas Train Slide ONLY
9	318711	1	Notched Pipe Bracket
10	884126	1	Fenwal Direct Spark Ignition Conversion Kit (one pocket)
	883848	1	Fenwal Direct Spark Ignition Conversion Kit (two pockets)
11	152013	2	#6-32 Hex Nut
12	121300	2	Open / Closed Bushing
13	150301	4	#8-18 x 7/16" Phillips Pan Head TEK Screw
14	121499	6	3/16" Push Mount Wire Tie
15	142934	1	1/2" Coupling with Mounting Tabs
16	128927	1	1/2" 24 VAC Direct Spark Ignition Redundant Gas Valve (natural gas) ONLY
	880960	1	Direct Spark Ignition Gas Valve (liquid propane gas) ONLY
17	142506	1	1/2" x 1/2" Street Elbow
18	318712	1	Gas Valve Pipe Bracket
19	882157	1	1/4" Aluminum Tubing (12" length)
20	143203	1	Aluminum Tubing Adapter
21	143259	1	Aluminum Tubing Compression Fitting
22	151001	8	#8-32 Pal Nut
23	142809	1	AD-320 1/2" x 29-1/8" Pipe
	142805	1	AD-330 1/2" x 34-1/2" Pipe
24	153528	8	#8-32 x 1/2" Self-Clinching Stud
25	815974	1	Direct Spark Ignition Module Mounting Bracket (Johnson)
26	141317	1	1/2" Bronze Union Elbow
27	122701	2	Socket Terminal ONLY
28	122604	1	4-Pin Connector (male)
29	122700	2	Pin Terminal ONLY

\* Consult factory for elevations over 2,000 feet.

\*\* Orifice is not included and must be ordered separately.

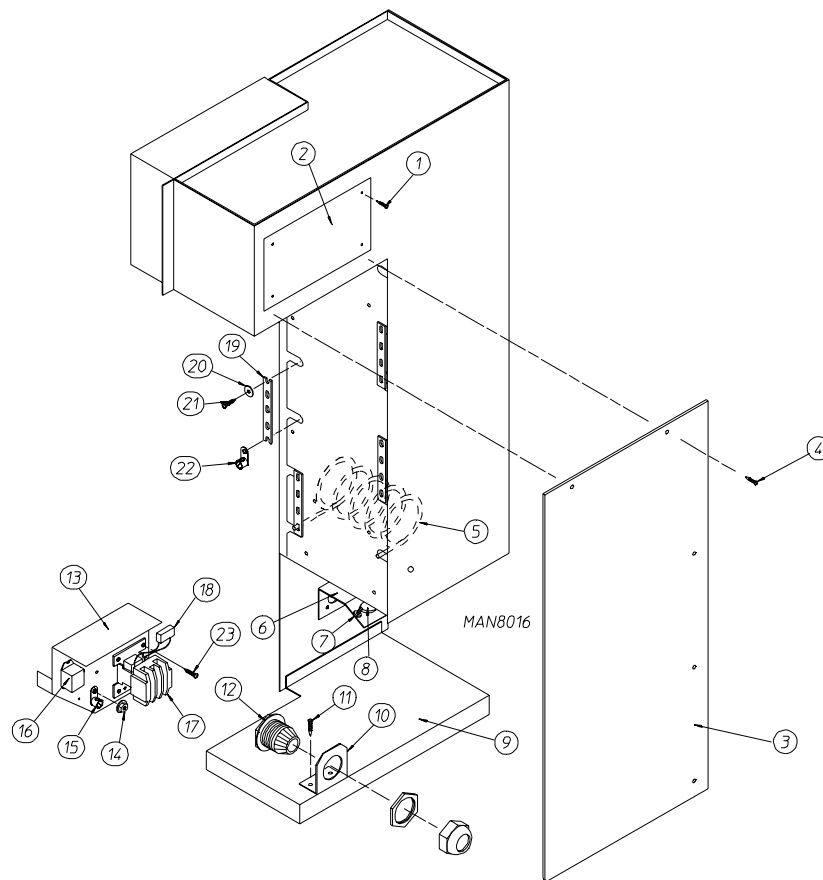
# Burner Box / Piping Assemblies



MAN6553

JNERY 2/26/03

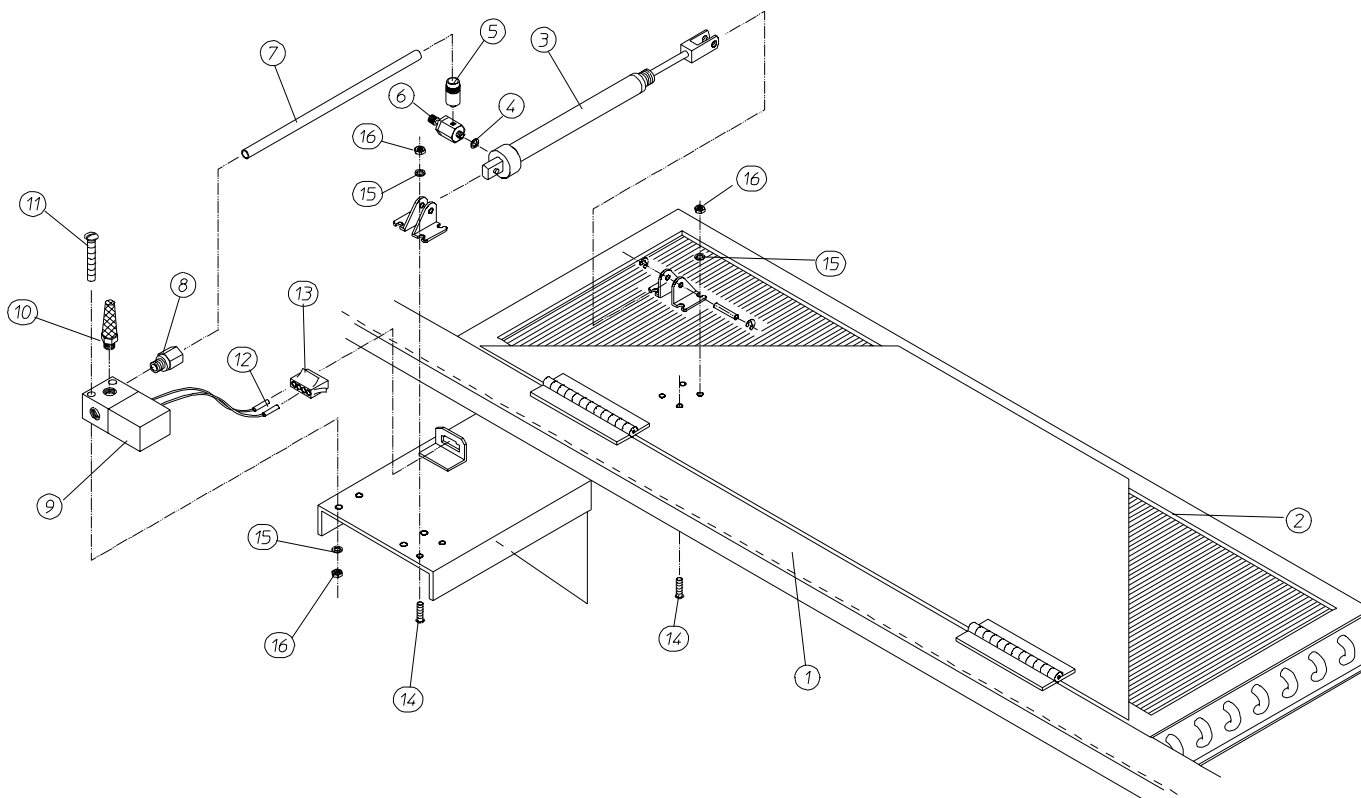
Illus. No.	Part No.	Qty.	Description
1	142805	1	ADG-330 1/2" x 34-1/2" Pipe
	142809	1	ADG-320 1/2" x 29-1/8" Pipe
2	318700	1	Pipe Bracket
3	150300	2	#10-16 x 1/2" Hex Washer TEK Screw
4	130403	1	330° Burner Hi-Limit Thermostat
5	150300	2	#10-16 x 1/2" Hex Washer TEK Screw
6	150309	8	#10-16 x 1/2" Hex Head TEK Crimptite Screw
7	130403	1	330° Burner Hi-Limit Thermostat
8	150300	2	#10-16 x 1/2" Hex Washer TEK Screw
9	142805	1	ADG-330 1/2" x 34-1/2" Pipe
	142809	1	ADG-320 1/2" x 29-1/8" Pipe
10	318700	1	Pipe Bracket
11	150300	2	#10-16 x 1/2" Hex Washer TEK Screw
12	850742	2	ADG-330 / ADG-320 Burner Box without Flame Spreader
13	318048	2	ADG-330 Flame Spreader
14	-----	-	Sail Switch (refer to Sail Switch Assembly on page 31)



Illus. No.	Part No.	Qty.	Description
1	150300	4	#10-16 x 1/2" Hex Washer TEK Screw
2	318065	1	Burner Box Clean Out Plate
3	320656	1	Back Plate Cover
4	150302	5	#6 x 3/8" Phillips Pan Head TEK Screw
5	-----	6	Heating Elements (refer to 15 kW Electric Oven Component Chart on page 38)
6	319703	1	Hi-Limit Bracket
7	151001	2	#8-32 Pal Nut
8	130400	1	290° Thermostat
9	320653	1	Stainless Steel Electric Reflector
10	318651	1	Oven Wire Bracket
11	150300	2	#10-16 x 1/2" Hex Washer TEK Screw
12	137027	1	Strain Relief
13	320659	1	Contacter Bracket
14	152014	1	1/4-20 Free Spin Wash Nut
15	121010	1	L-70 Terminal Lug
16	131406	1	Relay SPDT 24VAC
17	-----	1	Oven Contacter (refer to 15 kW Electric Oven Component Chart on page 38)
18	824828	1	R.C. Network with Connectors
19	121011	*	Bus Bar
20	153009	15	#10 Star Washer
21	150212	15	#10-32 x 5/16" Phillips Pan Head Stainless Steel Screw
22	-----	*	Terminal Lug (refer to 15 kW Electric Oven Component Chart on page 38)
23	150309	4	#10-16 x 1/2" Hex Head TEK Crimptite Screw

\* As required.

# ADS-330 / ADS-320 Steam Damper Assembly

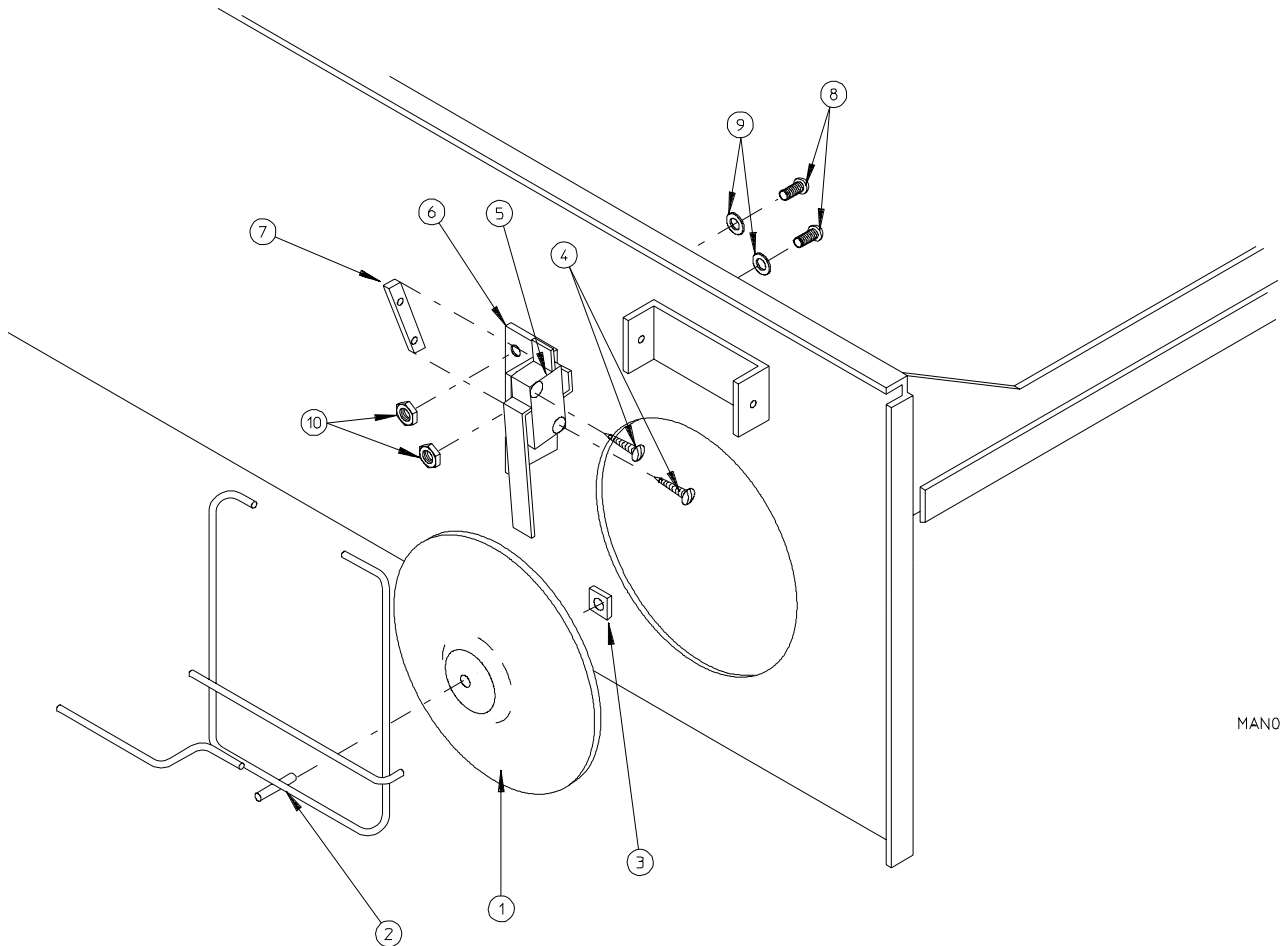


MAN6552

JNERY 2/26/03

Illus. No.	Part No.	Qty.	Description
1	850875	1	ADS-330 / ADS-320 Steam Damper Assembly
2	165035	1	ADS-330 / ADS-320 Steam Coil Assembly
3	100540	1	Steam Damper Piston (cylinder) Assembly with Pivots and Clevis (includes illus. nos. 4 through 10)
4	115994	1	Needle Valve Gasket
5	100471	1	1/4" x 10/32" Connector (male)
6	100534	1	Needle Valve
7	143110	1	1/4" Poly-Flo Tubing
8	100472	1	1/4" Poly x 1/8" M.P.T. Connector
9	100498	1	3-Way Micro Valve
10	100520	1	1/8" N.P.T. Silencer (muffler)
11	150002	2	#6-32 x 1" Round Head Machine Screw
12	122701	2	Socket Terminal ONLY
13	122605	1	4-Pin Socket Connector (female)
	122801	1	Pin / Socket Extraction Tool ... Not Illustrated
14	153560	8	#6-32 x 1/2" Self-Clinching Stud
15	153008	10	#6 Lock Washer
16	152013	10	#6-32 Hex Nut

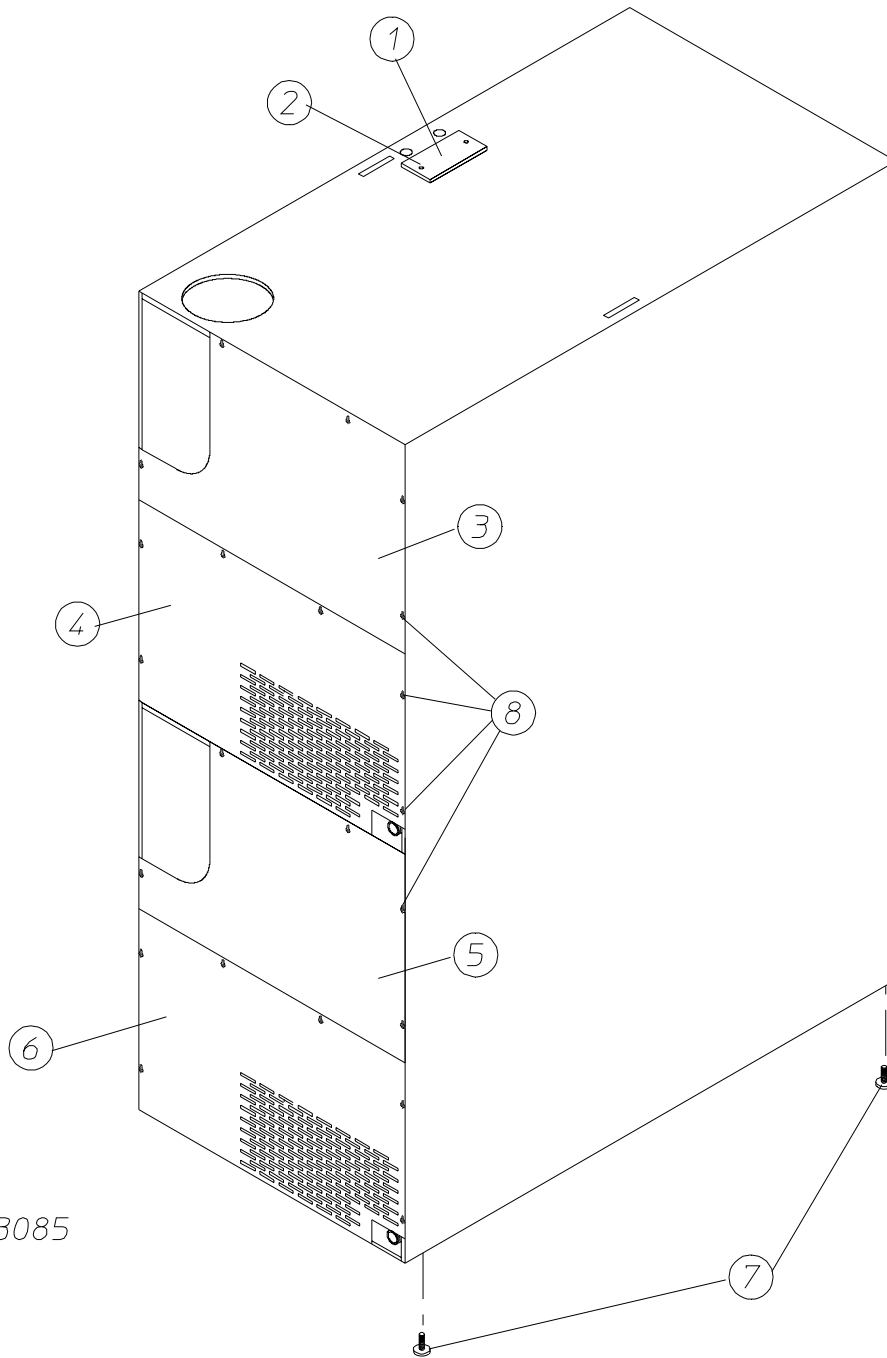
## UPPER SAIL SWITCH ASSEMBLY



NOTE: DUPLICATE ALL COMPONENTS  
FOR LOWER SAIL SWITCH ASSEMBLY

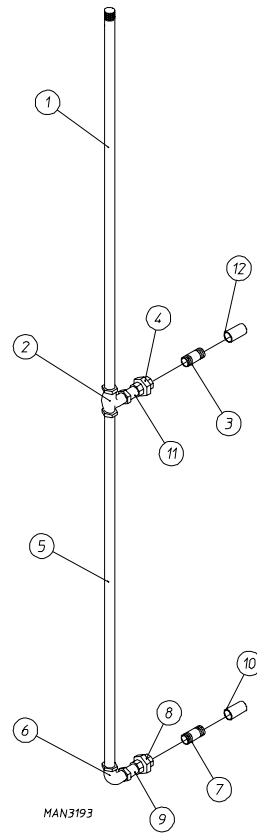
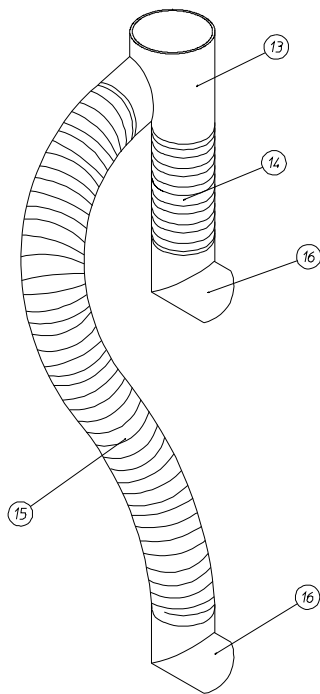
Illus. No.	Part No.	Qty.	Description
1	319206	1	Sail Switch Damper
	802805	1	AD-330 / AD-320 Sail Switch Rod and Damper Assembly (includes illus. nos. 1 through 3)
2	105550	1	AD-330 / AD-320 Sail Switch Rod
3	154002	1	1/8" Push-On Fastener
4	150303	2	#4 x 3/4" Pan Head "A" Machine Screw
	122200	1	Sail Switch ONLY
5	802807	1	AD-330 / AD-320 Sail Switch Bracket Assembly (includes illus. nos. 4 through 7)
	319208	1	AD-330 / AD-320 Sail Switch Bracket
7	154004	1	Twin Speed Nut
8	150001	2	#6-32 x 1/2" Round Head Machine Screw
9	153010	2	#6 Star Washer
10	152000	2	#6-32 Hex Nut

# Back Guard Assemblies



Illus. No.	Part No.	Qty.	Description
1	315014	1	Top Electric Box Cover Plate
2	150309	2	#10-16 x 1/2" Hex Head TEK Crimp-tite Screw
3	314404	1	AD-330 / AD-320 Top Upper Guard
4	314405	1	AD-330 / AD-320 Top Lower Guard
5	314404	1	AD-330 / AD-320 Bottom Upper Guard
6	314405	1	AD-330 / AD-320 Bottom Lower Guard
7	103500	4	Adjustable Leveling Leg
8	150301	22	#8-18 x 7/16" TEK Screw





## ADG-330 / ADG-320 Optional Gas Piping Kit

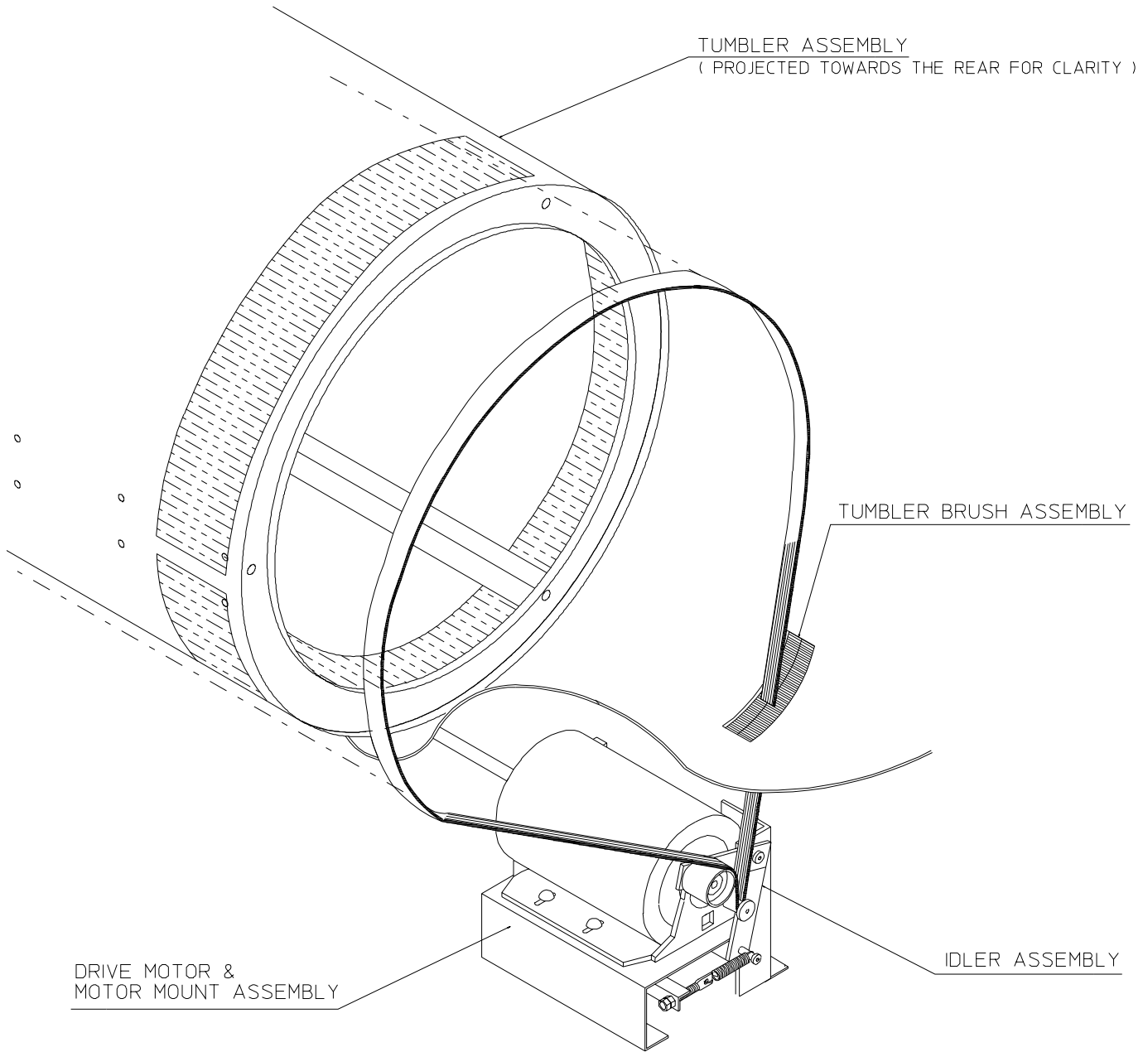
Illus. No.	Part No.	Qty.	Description
—	880128	1	ADG-330 / ADG-320 Gas Piping Kit (includes illus. nos. 1 through 12)
1	142821	1	3/4" x 36" Pipe
2	142505	1	3/4" x 1/2" x 1/2" Tee
3	142814	1	1/2" x 2-1/2" Nipple
4	142600	1	1/2" Union
5	142824	1	1/2" x 37-1/4" Pipe
6	142500	1	1/2" x 90° Elbow
7	142814	1	1/2" x 2-1/2" Nipple
8	142600	1	1/2" Union
9	142700	1	1/2" Close Nipple
10	143001	1	1/2" Coupling
11	142700	1	1/2" Close Nipple
12	143001	1	1/2" Coupling

## ADG-330 / ADG-320 Optional Exhaust Ducting Kit

—	882035	1	AD-330 / AD-320 Exhaust Ducting Kit (includes illus. nos. 13 through 16)
13	143600	1	10" x 6" x 6" Wye Branch Duct
14	143519	1	6" Round x 4' Long Flexible Exhaust Duct
15	143509	1	6" Round x 8' Long Flexible Exhaust Duct
16	143536	2	6" Round x 45° Elbow
—	150300*	12	#10-16 x 1/2" Hex Washer TEK Screw
—	117505*	12	Aluminum Duct Tape (sold by the foot)

\* Included with Exhaust Ducting Kit (ADC Part No. 882035).

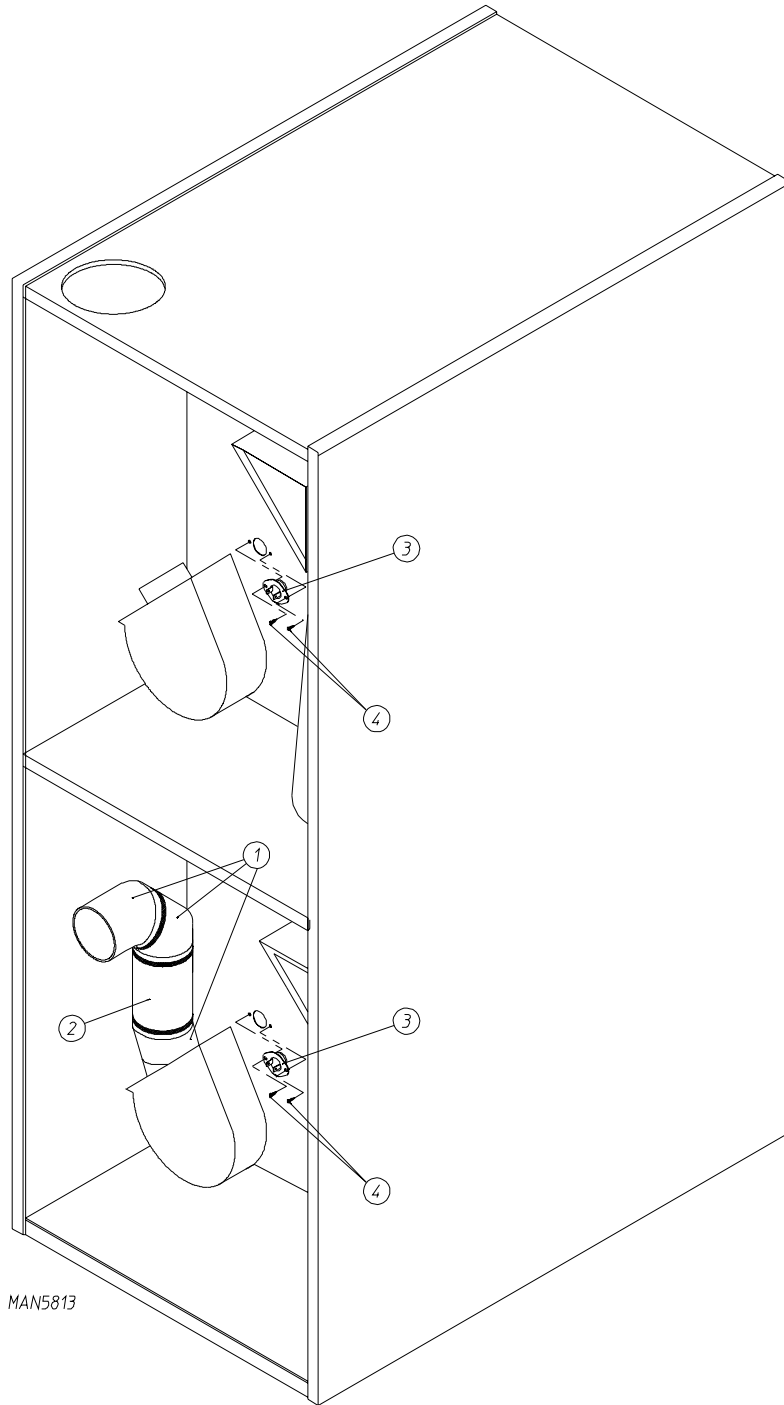
# 12-Rib 95" (J) Poly Belt Arrangement



MAN0433

## 12-RIB 95" (J) POLY BELT ARRANGEMENT

# Bottom Exhaust Duct Assembly and Cabinet Hi-Limit Temperature Probe



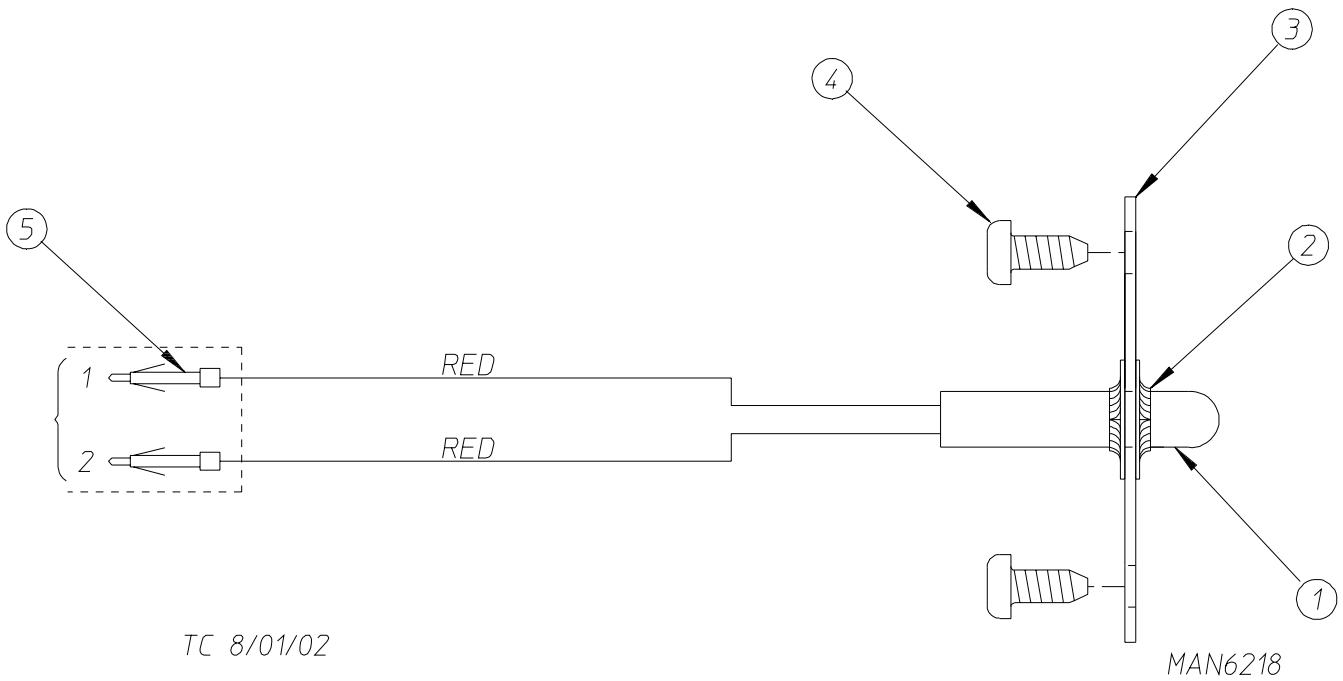
MAN5813

MFM 06/20/01

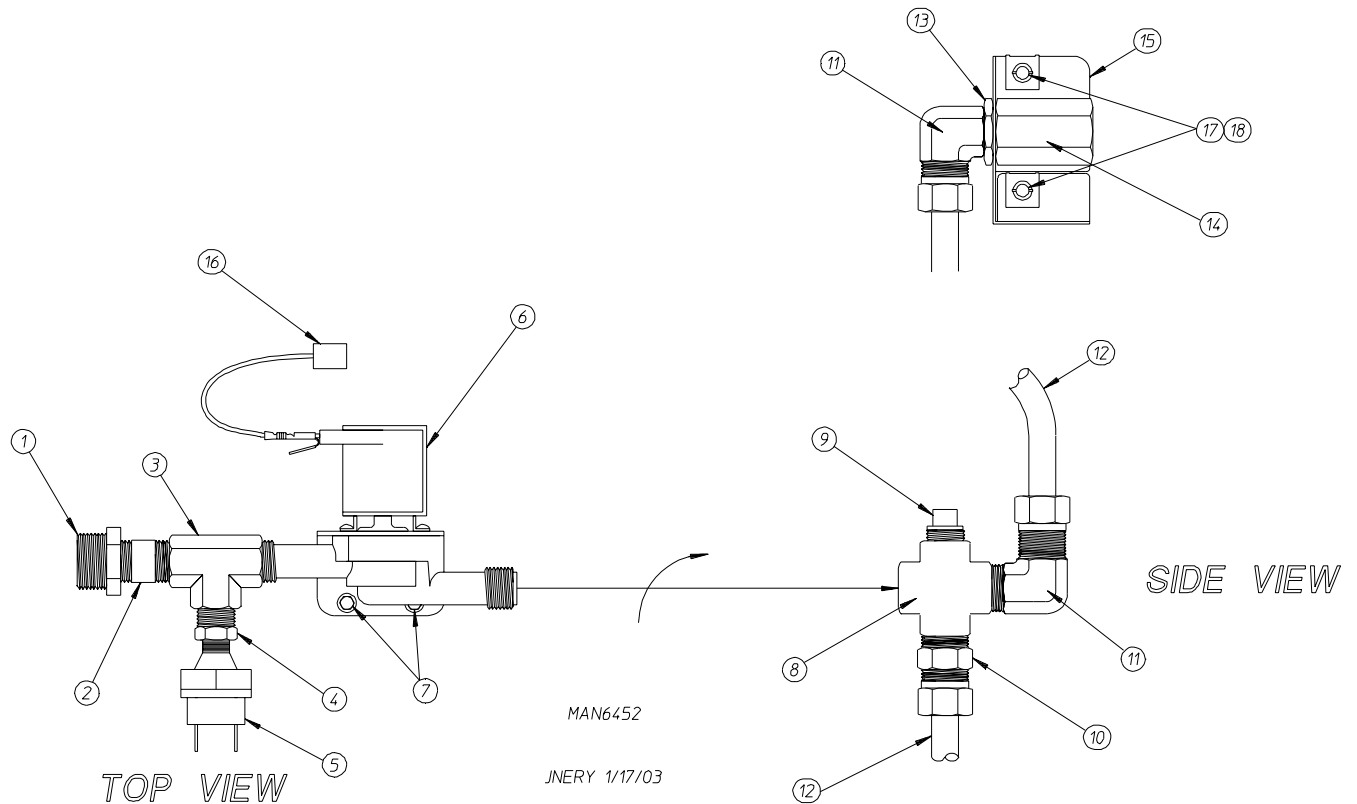
Illus. No.	Part No.	Qty.	Description
1	143536	2	6" Round x 45° Elbow
2	143545	1	6" Round x 6" Long Duct
–	117505*	5	Aluminum Duct Tape (sold by the foot)
3	852319	2	Cabinet Temperature Probe
4	150301	4	#8-18 x 7/16" Phillips Pan Head TEK Screw

\* Tape all joints.

# S.A.F.E. Temperature Probe Assembly



Illus. No.	Part No.	Qty.	Description
1	852323	1	Temperature Sensor Assembly (1 required per pocket) (includes illus. nos. 1 through 5)
2	154007	2	1/4" Push-On Fastener
3	390390	1	Sensor Activated Fire Extinguishing System Sensor Mounting Plate
4	150411	2	#8-18 x 3/8" Phillips Pan Head TEK Screw
5	122643	2	#20-16 Pin
	122647	1	2-Pin Cap Connector ONLY (no pins)



Illus. No.	Part No.	Qty.	Description
1	142888	1	1/2" M.P.T. x 3/8" F.P.T. Hex Bushing
2	143241	1	3/8" Close Brass Nipple
3	143220	1	3/8" F.P.T. Brass Tee
4	143315	1	3/8" M.P.T. x 1/8" F.P.T. Brass Bushing
5	136987	1	Pressure Switch
6	165114	1	Sensor Activated Fire Extinguishing System Solenoid Valve 24V 50/60 Hz
7	150309	2	#10-16 x 1/2" Hex Head TEK Crimptite Screw
8	143236	1	3/8" Brass Cross
9	143251	1	3/8" M.P.T. Brass Plug
10	143208	1	3/8" Comp x 3/8" M.P.T. Brass Connector
11	143320	3	3/8" Comp x 3/8" M.P.T. Brass Elbow
12	143099	4'	3/8" OD x 0.035 Wall Copper Tubing
13	143303	2	3/8" N.P.T. Brass Lock Nut
14	143585	2	3 GPM 3/8" F.P.T. 60° Spray Nozzle
15	311591	2	Sprinkler Head Mounting Bracket
16	824081	1	RC Network Assembly
17	154001	4	#10-24 Speed Nut
18	150207	4	#10-24 x 1/2" Phillips Pan Head Machine Screw
—	847616	1	Sensor Activated Fire Extinguishing System Piping Assembly Complete (includes illus. nos. 1 through 18)

# 15 kW Electric Oven Component Chart

For models as of September 24, 2013

Voltage	Phase	Oven Assembly * Part No.	Element			Oven Wire Assembly with Crimp Terminal		Terminal Lug		Bus Bar Part No. 112011	Oven Relay
			Qty.	kW	Part No.	Size	Part No.	Qty.	Part No.		Part No.
208	1 $\emptyset$	824957	6	2.5	120036	#4	830421	1	121012	6'	131332
240	1 $\emptyset$	843243	6	2.5	120040	#4	830421	1	121012	6'	131332
208	3 $\emptyset$	883802	6	2.5	120036	#8	830422	1	121012	2'	131332
240	3 $\emptyset$	883803	6	2.5	120040	#8	830422	1	121010	2'	131332
380	3 $\emptyset$	883804	6	2.5	120038	#8	830423	1	121010	2'	131332
416	3 $\emptyset$	883805	6	2.5	120036	#8	830423	1	121010	2'	131332

\* When ordering electric oven assembly complete specify 3-wire or 4-wire when applicable.

For models prior to September 24, 2013

Voltage	Phase	Oven Assembly * Part No.	Element			Oven Wire Assembly with Crimp Terminal		Terminal Lug		Bus Bar Part No. 112011	Oven Relay
			Qty.	kW	Part No.	Size	Part No.	Qty.	Part No.		Part No.
208	1 $\emptyset$	824957	6	2.5	120036	#4	830421	1	121012	6'	131376
240	1 $\emptyset$	843243	6	2.5	120040	#4	830421	1	121012	6'	131369
208	3 $\emptyset$	883802	6	2.5	120036	#8	830422	1	121012	2'	131357
240	3 $\emptyset$	883803	6	2.5	120040	#8	830422	1	121010	2'	131357
380	3 $\emptyset$	883804	6	2.5	120038	#8	830423	1	121010	2'	131352
416	3 $\emptyset$	883805	6	2.5	120036	#8	830423	1	121010	2'	131352

\* When ordering electric oven assembly complete specify 3-wire or 4-wire when applicable.

<u>Part No.</u>	<u>Description</u>
100405	Bearing Puller (for fan [impellor] shaft bearing)
112144	AD-330 / AD-320 Installation Manual
112280	"Lint Compartment" Label
114001	"CAUTION – Exhaust / Lint Screen" Label
114006	"WARNING – Fire Hazards" Label
114533	"120V Electric Service" Label
120802	Red Butt Connector
120903	#74B Wire Nut
121014	Crimp-On Wire Nut
121499	5-1/2" Harness Tie
121500	8" Harness Tie
121503	Harness Tie Mounting Clip
122804	Manometer (hydro gauge) for Measuring Gas Pressure
404502	White Brush-In-Cap Bottle Touch-Up Paint
404515	Coral Blue Brush-In-Cap Bottle Touch-Up Paint
404516	Ivory Brush-In-Cap Bottle Touch-Up Paint
410001	1/2" Allen Wrench (for gas valve tailpiece removal)
450426	Johnson Controls Direct Spark Ignition Technical Manual
881299	Loctite Adhesive Kit (for setscrews)
882458	Tumbler Puller Assembly

